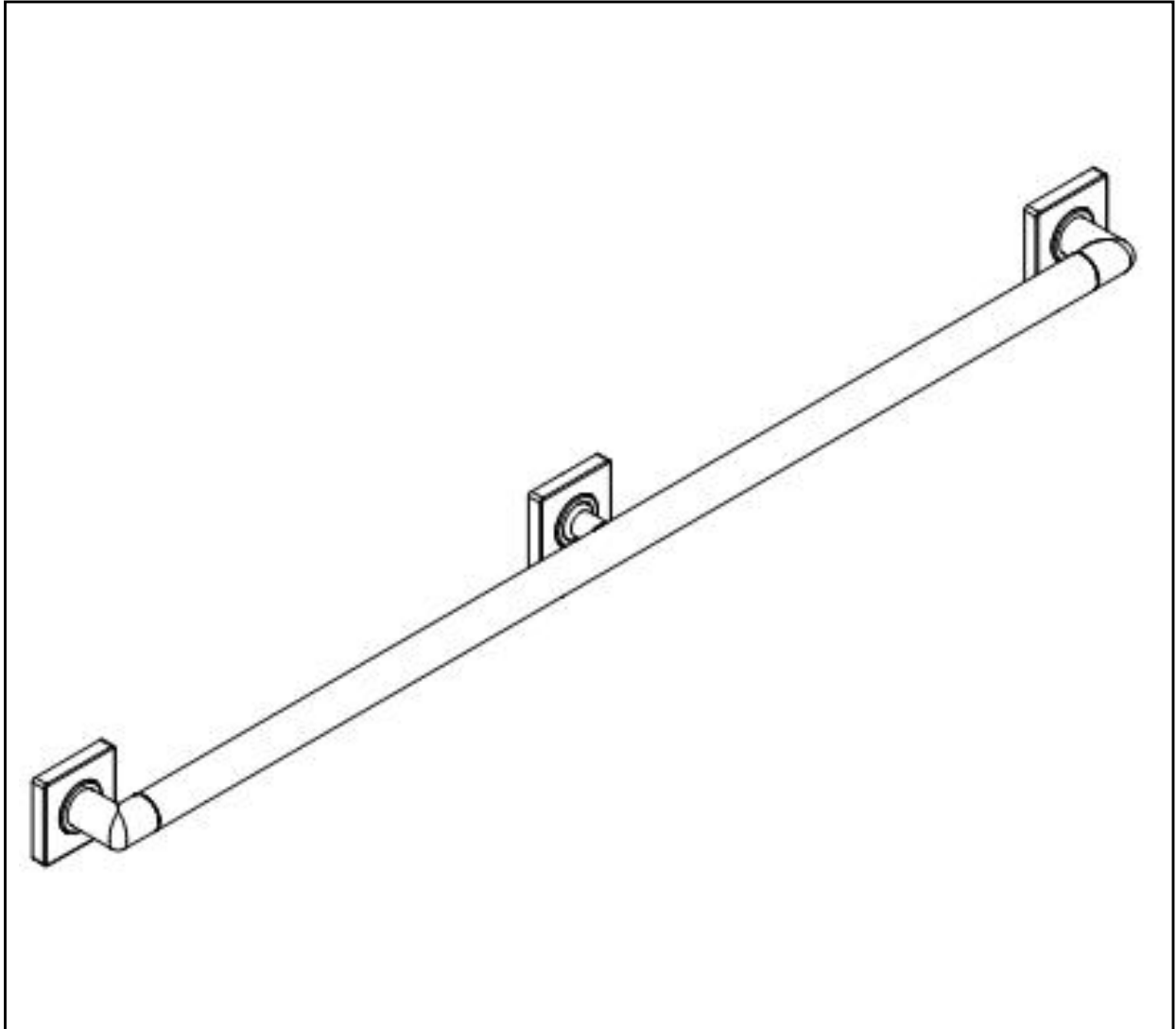


**GRAB BAR
INSTALLATION INSTRUCTIONS
MODEL No: 5266 (42")**



COMPLEMENT THIS PRODUCT WITH THESE
COORDINATING ACCESSORIES:

**sconce lights • mirrors • towel bars and rings • toiletry shelves and trays
toilet tissue holders • robe hooks • hotel shelves • grab bars
soap dishes and dispensers • tumblers • toothbrush holders • curtain rod holders**

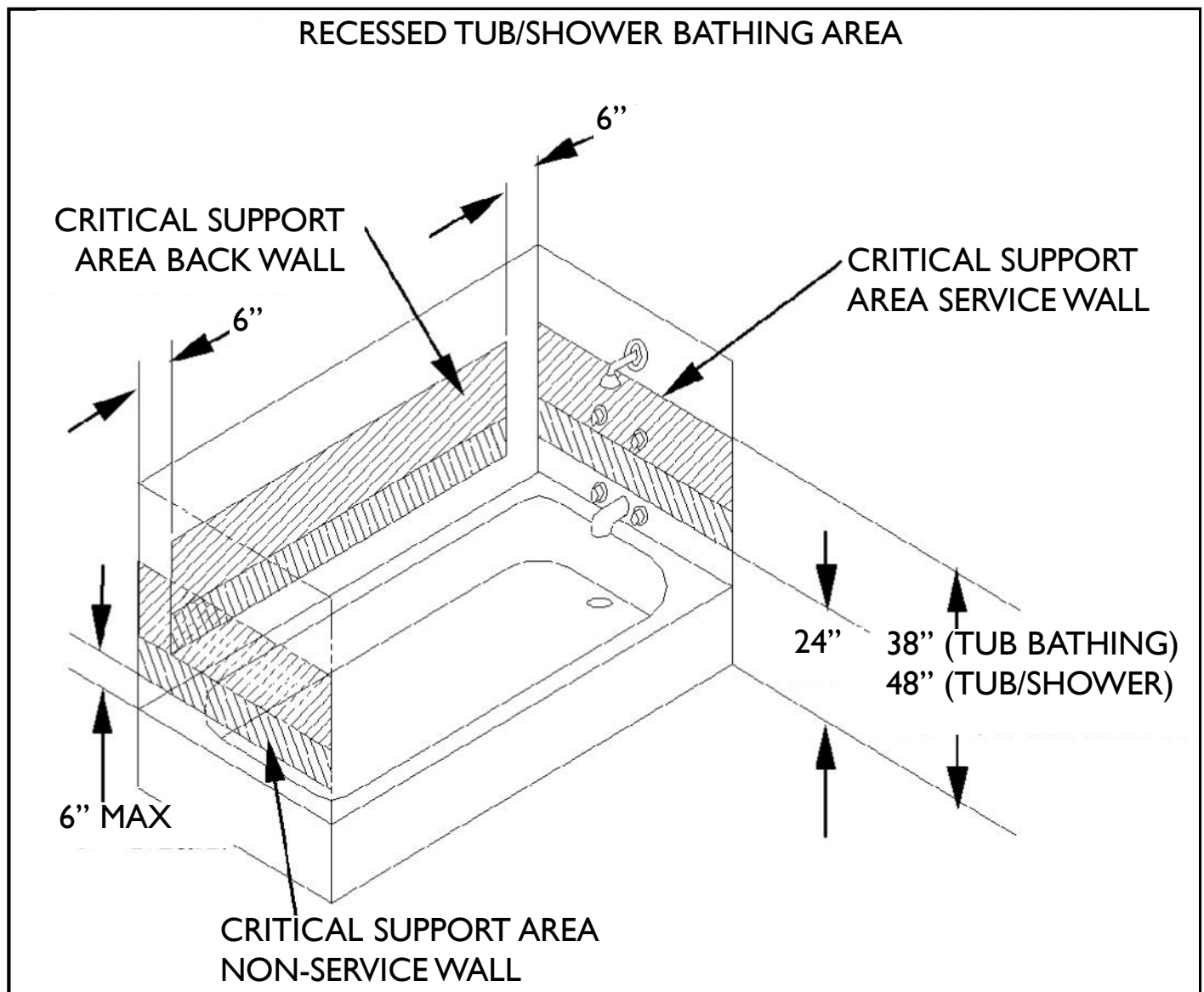
GINGER[®]

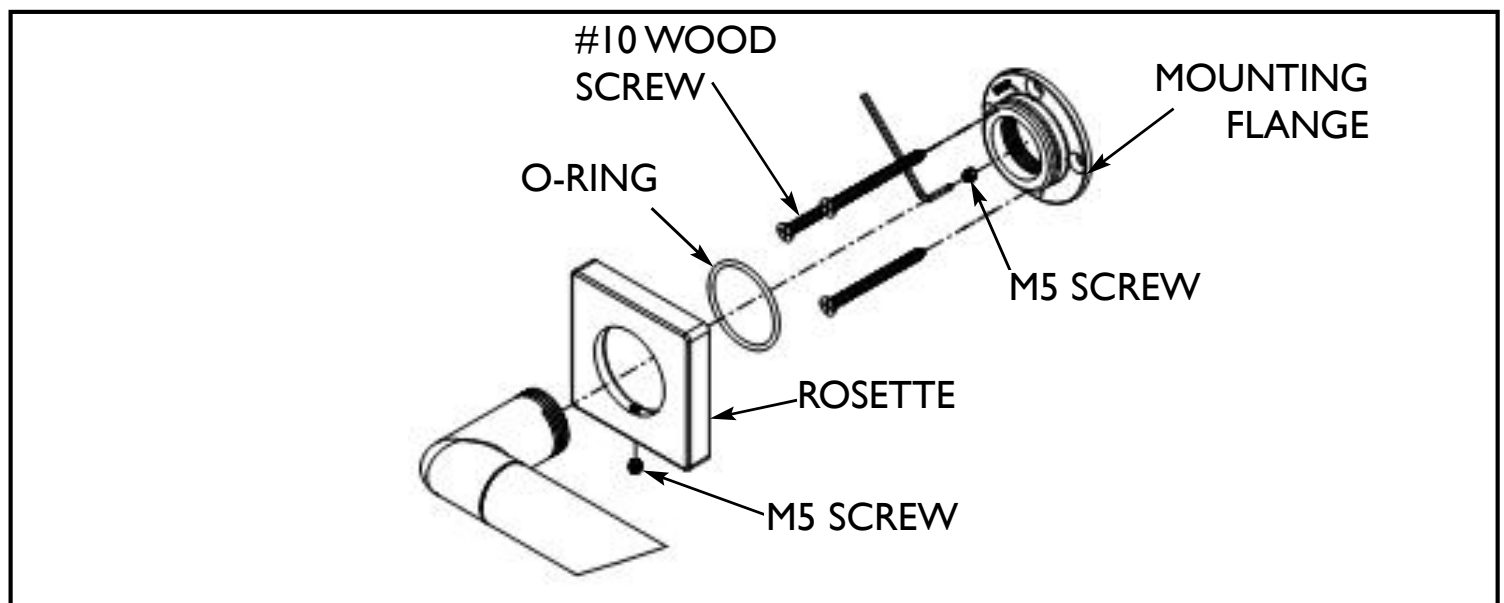
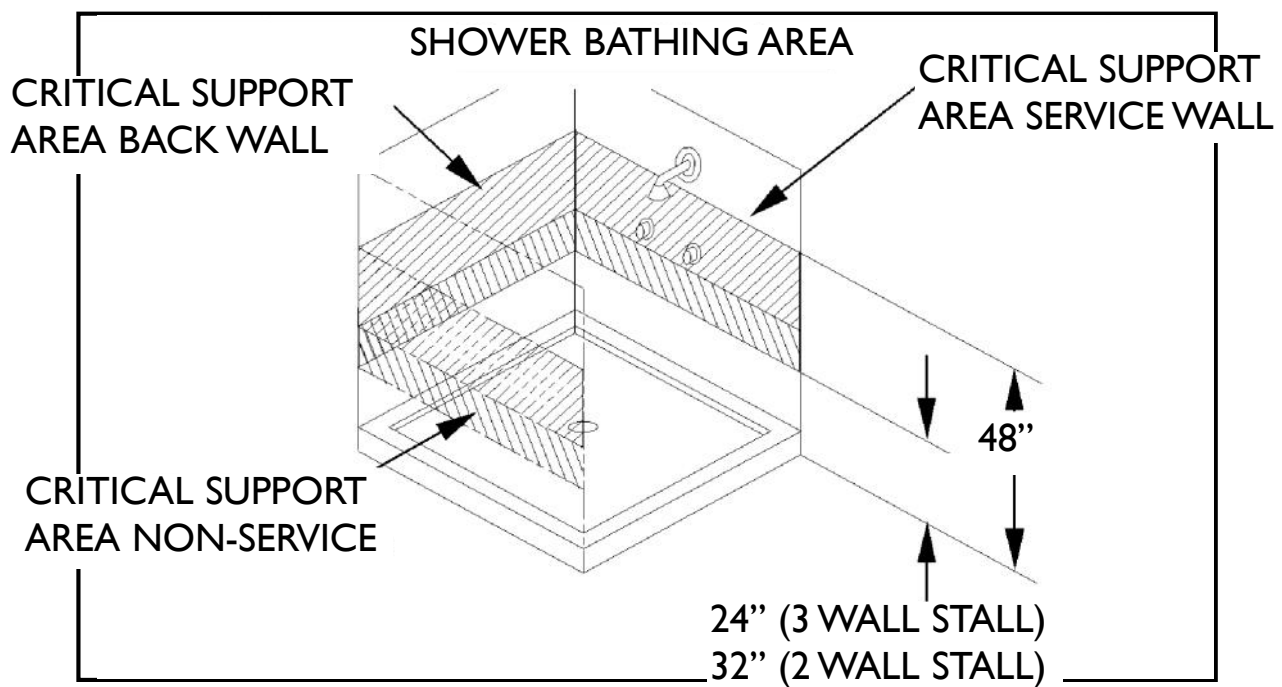
Recommended Installation by a Professional Contractor

Grab bars are to be installed in the critical support area as follows:

TUB - A horizontal grab bar(s) shall be installed on the back wall critical support area with a total minimum length equal to 30% of the horizontal length of the critical support area. A horizontal or vertical grab bar(s) shall be installed in the critical support area on either the service or non-service wall. A minimum horizontal graspable length of 9" (230mm). A minimum vertical graspable length of 6" (152mm) and shall be installed in the tub entrance area. See detail below.

SHOWER - A horizontal grab bar(s) shall be installed in the critical support area on either the service, back or non-service wall. A minimum graspable length of 9" (230mm).





Installation Notes:

The (9)#10 screws provided are for installation into wood, (proper installation requires all 9 be used). The installer should provide hardware for other installation applications. Use flat head fasteners only. This product has been tested to meet or exceed loads mandated by the Americans with disabilities act and ASTM F446, (minimum 250lbs). However, it is the responsibility of the architect, builder and installer to ensure that the mounting area is secure and that proper mounting hardware is used.

Installation:

1. Locate grab bar as required and mark hole pattern.
2. Remove grab bar by loosening M5 screw and pre-drill hole pattern for #10 screws (9 places)
3. Install o-ring onto grab mounting flange.
4. Locate grab bar, o-ring and mounting flange into place by aligning pre-drilled holes and flange hole pattern.
6. Attach to mounting surface using all 6 screws provided.
7. Tighten grab bar with M5 screw.
8. Slide rosette around bend and press into place over flange o-ring. Wetting o-ring aids installation.