



T&S BRASS AND BRONZE WORKS, INC.

2 Saddleback Cove / P.O. Box 1088
Travelers Rest, SC 29690

Model No.

B-2992-PWH4

Item No.

Travelers Rest, SC: 800-476-4103 • Simi Valley, CA: 800-423-0150 • Fax: 864-834-3518 • www.tsbrass.com



ADA Compliant

This Space for Architect/Engineer Approval

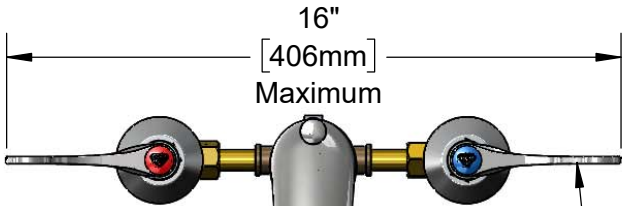
Job Name _____ Date _____

Model Specified _____ Quantity _____

Customer/Wholesaler _____

Contractor _____

Architect/Engineer _____

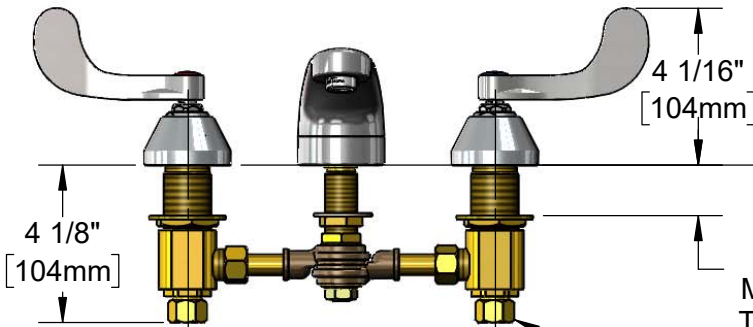
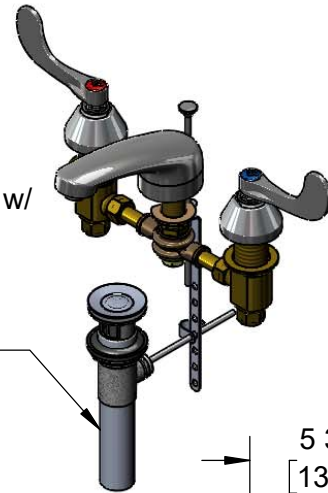


16"
[406mm]
Maximum

Quarter-Turn
Eterna Cartridges w/
Spring Checks &
Wrist Action Handles w/
Color Coded Indexes

Cast Spout w/
B-0199-03
2.2 GPM Aerator

Pop-Up Drain



4 1/8"
[104mm]

4 1/16"
[104mm]

Mounting
Surface

1 5/16"
[33mm]
Maximum
Thickness

1/2" NPT
Male Inlets w/
Coupling Nuts

Adjustable Centers
(See Chart Below)

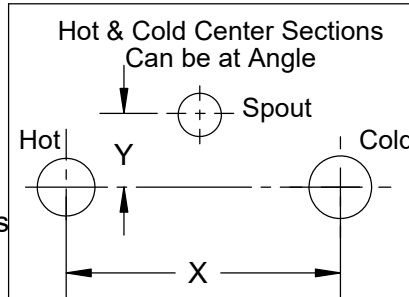
3 1/16"
[77mm]

2"
[50mm]

5 3/16"
[131mm]

Ø 2 1/4"
[57mm]
Escutcheon

Rough-In Requirement:
Center Shank: ϕ 1" [ϕ 25mm] Mounting Hole
Hot/Cold Bodies: ϕ 1 1/2" [ϕ 38mm] Mounting Holes
Pop-Up Drain: Fits Sinks With ϕ 1 7/16" [37mm]
to ϕ 1 3/4" [44mm] Drain Hole



if "Y" is	Then Faucet Will Fit "X" with Standard 1/4" NPT Cross Pipes Furnished
1/2"	8"
1"	7 3/4"
1 1/2"	7 3/8"
2"	7"

Product Specifications:

8" Concealed Widespread Mixing Faucet, Quarter-Turn Eterna Cartridges w/ Spring Checks, Wrist Action Handles, Cast Spout w/ 2.2 GPM Aerator & 1/2" NPT Male Inlets w/ Coupling Nuts and Pop-Up Drain

Product Compliance:

ASME A112.18.1 / CSA B125.1
NSF 61 - Section 9
NSF 372 (Low Lead Content)
ANSI A117.1 (ADA)



T&S BRASS AND BRONZE WORKS, INC.

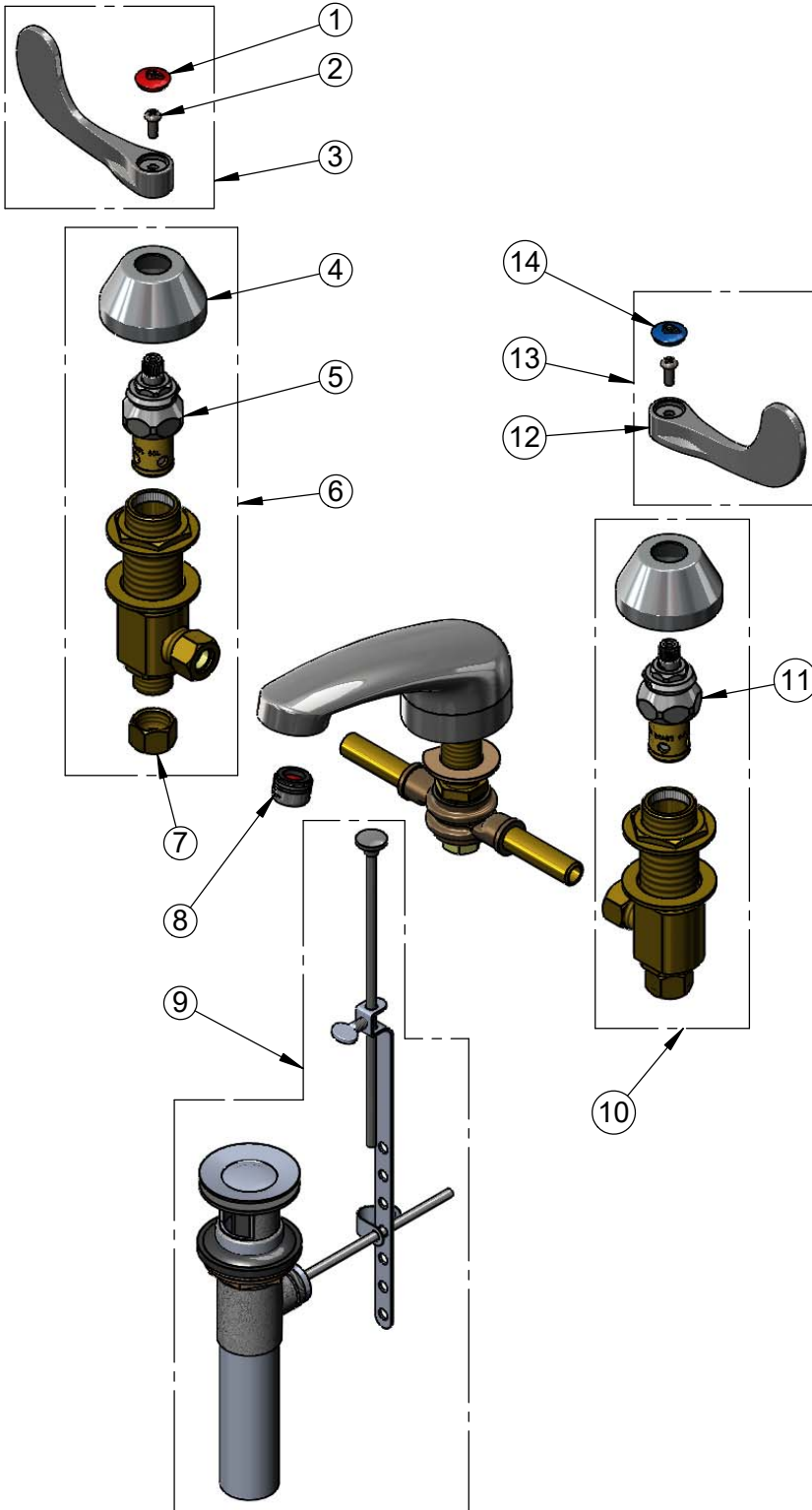
2 Saddleback Cove / P.O. Box 1088
Travelers Rest, SC 29690

Model No.

B-2992-PWH4

Item No.

Travelers Rest, SC: 800-476-4103 • Simi Valley, CA: 800-423-0150 • Fax: 864-834-3518 • www.tsbrass.com



ITEM NO.	SALES NO.	DESCRIPTION
1	001193-19NS	Red Button Index, Press-in
2	000925-45	Lab Handle Screw
3	B-WH4H-NS	Wrist Action Handle, Red Index & Screw
4	001257-40NS	Bell Escutcheon
5	006478-40NS	CWS Quarter-Turn Eterna Cartridge w/ Spring Check, RTC
6	162A-NS	B-0850 New Style Side Body - Hot
7	000958-20	Coupling Nut
8	B-0199-03	2.2 GPM Aerator
9	B-0898	Pop-Up Drain
10	161A-NS	B-0850 New Style Side Body - Cold
11	006477-40NS	CWS Quarter-Turn Eterna Cartridge w/ Spring Check, LTC
12	B-WH4-NS	Wrist Action Handle - New Style
13	B-WH4C-NS	Wrist Action Handle, Blue Index & Screw
14	018506-19NS	Blue Button Index, Press-in

Product Specifications:

8" Concealed Widespread Mixing Faucet, Quarter-Turn Eterna Cartridges w/ Spring Checks, Wrist Action Handles, Cast Spout w/ 2.2 GPM Aerator & 1/2" NPT Male Inlets w/ Coupling Nuts and Pop-Up Drain

Product Compliance:

ASME A112.18.1 / CSA B125.1
NSF 61 - Section 9
NSF 372 (Low Lead Content)
ANSI A117.1 (ADA)