

Clayton® 60" x 32" Soaker Bathtub

FEATURES

- 60" x 32" x 24-3/8"
- Luxuriously deep bathing well
- Cast-acrylic construction provides high durability
- Slip-resistant surface
- Optional solid brass grab bar with various finishes

COLORS/FINISHES

- Shell Color
 - #01 Cotton
 - #12 Sedona Beige
- Grab Bar
 - #CP Polished Chrome
 - #BN Brushed Nickel
 - #PN Polished Nickel

CODES/STANDARDS

- Meets and exceeds ANSI Z124.1.2, CSA B45
- Certifications: IAPMO(cUPC), State of Massachusetts, City of Los Angeles and others
- Code Compliance: UPC, IPC, NSPC, NPC Canada, and others



PRODUCT SPECIFICATION

The TOTO® Clayton® Soaker Bathtub Soaker Bathtub shall have a luxuriously deep bathing well. The Soaker Bathtub shall have a cast-acrylic construction that provides high durability with a slip-resistant surface. The Soaker Bathtub shall have an optional solid brass grab bar with various finishes. Soaker Bathtub shall be TOTO Model ABY781N____.

ABY781N

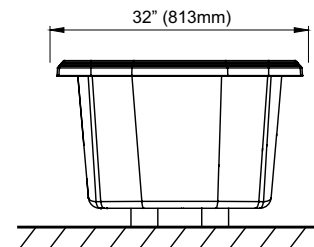
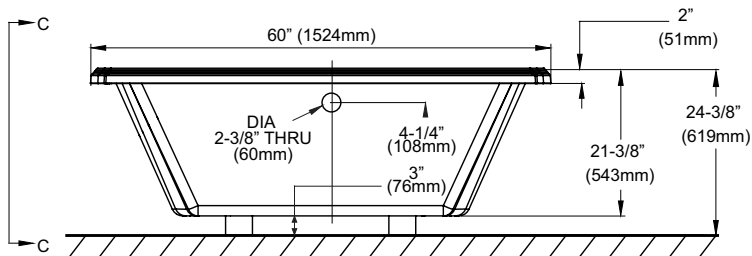
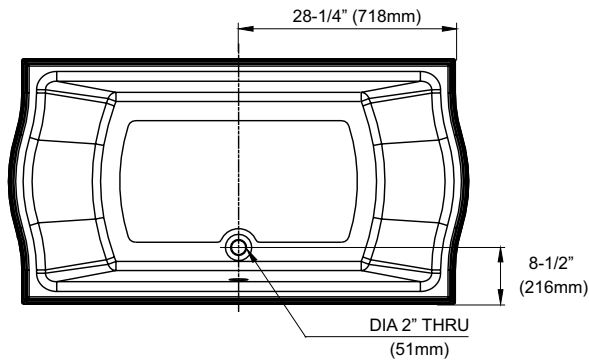
Clayton® 60" x 32" Soaker Bathtub

SPECIFICATIONS

- Size 60" L x 32" W
- Depth 21"
- Water Depth 15.6"
- Warranty 1 Year Limited Warranty on acrylic tub
1 Year Limited Warranty on components and parts
- Material Lucite Cast Acrylic
- Shipping Weight 80 lbs.
- Shipping Dimensions 68" L x 39" W x 27" H
- Gallons 65 to overflow

INSTALLATION NOTES

Floor support under bath must provide a minimum of 75 lbs/square foot (366 kg/square meter) loading.



SECTION C-C

TOTO®

These dimensions and specifications are subject to change without notice