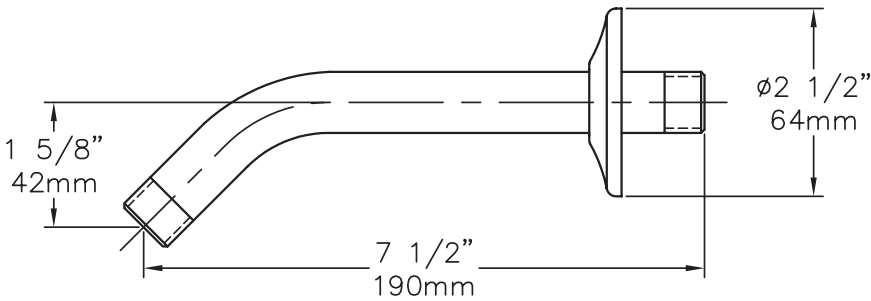
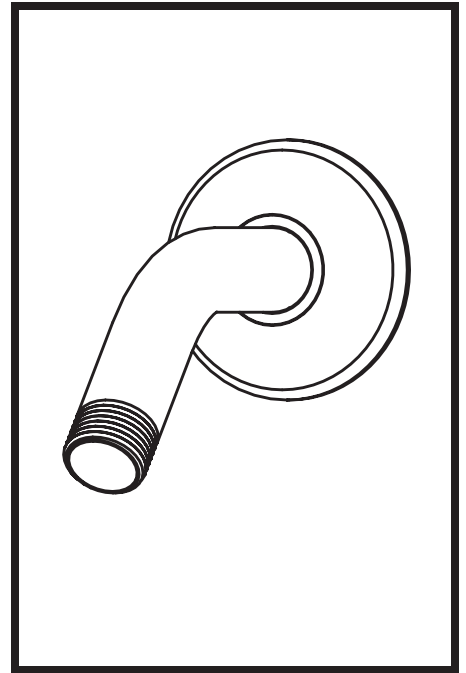


300M Shower Arm

Symmons long shower arm with stamped flange.



Job/Location

.....
.....

Engineer

.....
.....

Contractor

.....
.....

Symmons Industries, Inc. ■ 31 Brooks Drive ■ Braintree, MA 02184
(800) 796-6667, (781) 848-2250 ■ Fax (800) 961-9621, (781) 843-3849
Website: www.symmons.com ■ Email: customerservice@symmons.com

©2003, 2008 Symmons Industries, Inc. Printed in U.S.A. ■ 042808

