
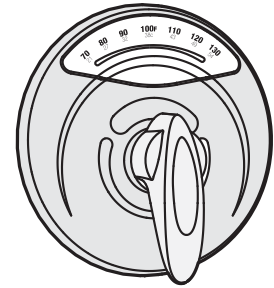



Location:

  
**SYMMONS® Visu-Temp®**  
**Shower System 1-1000VT**  
**Specification Submittal**



**Feature Highlights**

- Symmons Visu-Temp® pressure-balancing mixing valve with Clear-vue™ thermometer and adjustable stop screw to limit handle turn, #4-5000VT
- Euro-flo single mode self-cleaning showerhead #4-241
- Showerhead mounting arm and flange, # 300
- Standard flow rate is 2.5 gpm (9.5 L/min)  
*Optional aerator available in lower flow rates* 
- Polished chrome finish (standard)

**Model Numbers**

- 1-1000VT.....Shower system with Symmons Visu-Temp® pressure balancing mixing valve

**Finish Options / Modifications**

*Append appropriate -suffix to model number*



- STN Satin nickel
  - Polished chrome (standard finish)

**Warranty**

- Limited Lifetime - to the original end purchaser in consumer installations.
- 5 years - for commercial installations

**Options / Modifications**

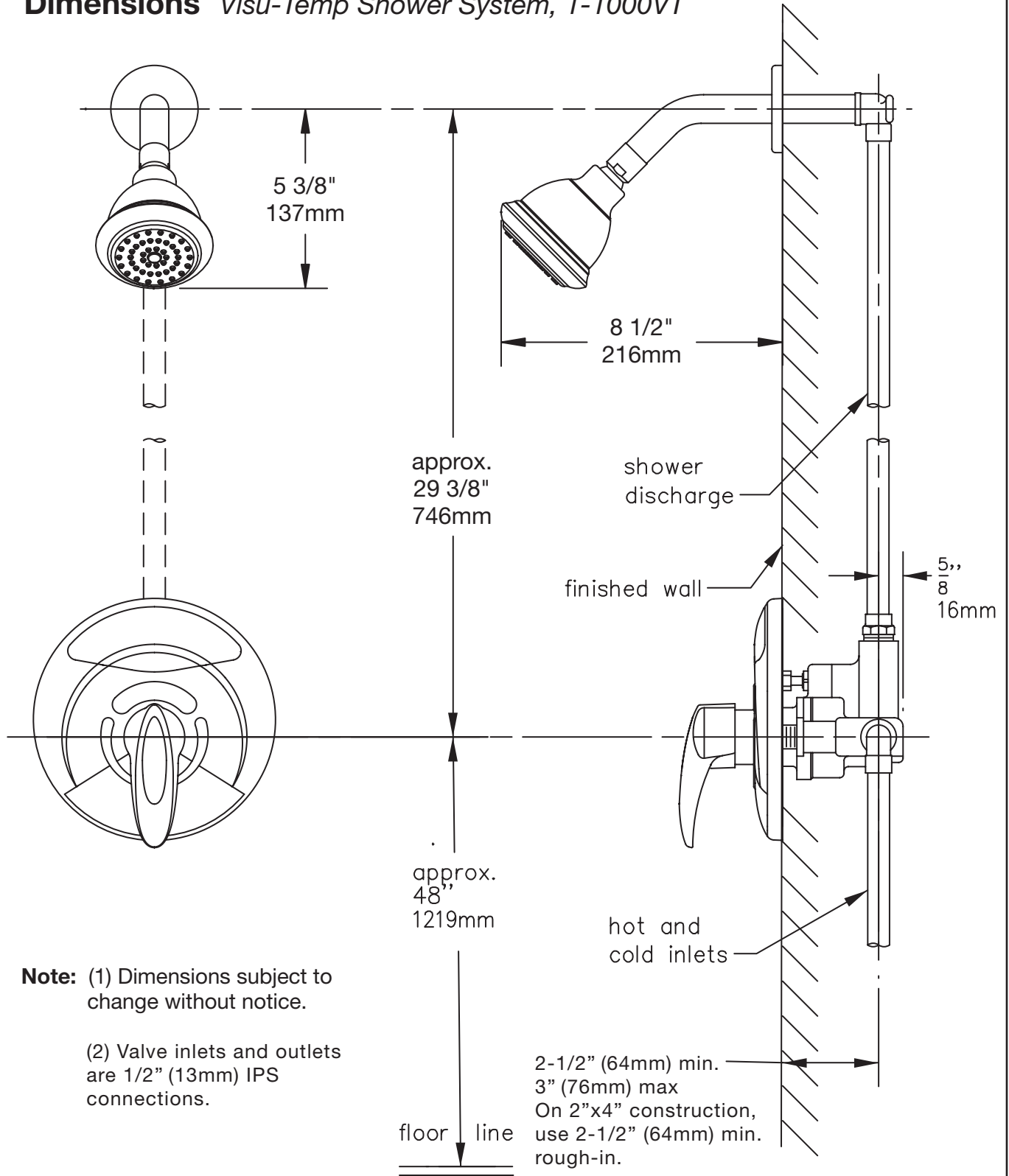
*Append appropriate -suffix to model number*

- X Symmons Temptrol® pressure balancing mixing valve includes integral service stops to allow water shut-off for service
- CHKS Integral check stops: Used where a positive shut-off device is used down stream of mixing valve. Note: Only available with integral service stops (-X). Enter option as -X-CHKS.
- 3/4 3/4 inch valve to increase water flow approximately 20%. Note: Only available with integral service stops (-X). Enter option as -X-3/4.
- L/HD Showerhead not included  
Includes showerhead arm and flange only
-  -2.0 2.0 gpm (7.6 L/min) flow rate restrictor
-  -1.5 1.5 gpm (5.7 L/min) flow rate restrictor

**Standards / Certifications**

ASME A112.18.1/CSA B125.1

# Dimensions Visu-Temp Shower System, 1-1000VT



**Note:** (1) Dimensions subject to change without notice.

(2) Valve inlets and outlets are 1/2" (13mm) IPS connections.