



Location:

SYMMONS® Allura®

the smart choice™

4705-TRM, 4705TRMTC
Shower/Hand Shower Trim
Specification Submittal



Feature Highlights

- Allura Shower/Hand Shower Trim
- Requires Temptrol® Pressure Balancing Shower Valve
- Requires Symmons Dual Outlet Diverter Valve
- Metal lever handles
- Cradle for hand shower wand
- Dual checks for backflow protection
- 60" flexible metal hose
- 3 mode hand shower wand
- 3 mode showerhead
- 2.5 gpm (9.5 L/min) flow restrictors
- Tub spout not included
- Components shall be metal and nonmetallic construction, plated in standard Polished Chrome finish
- Available with TA-10 flow control spindle and T-12A cap assembly for Temptrol valve bodies installed with Test Cap (order p/n 4705TRMTC)
- For optional in-line vacuum breaker order p/n EF-109

Model Numbers

- 4705-TRM**
Shower/Hand Shower Trim,
Temptrol Pressure Balancing Shower Valve and
Symmons Dual Outlet Diverter valve ordered separately
- 4705TRMTC**
Shower/Hand Shower Trim with TA-10 flow control spindle and
T-12A cap assembly, must order Temptrol valve with Test Cap

Compliance




- ASME A112.18.1/CSA B125.1



Warranty

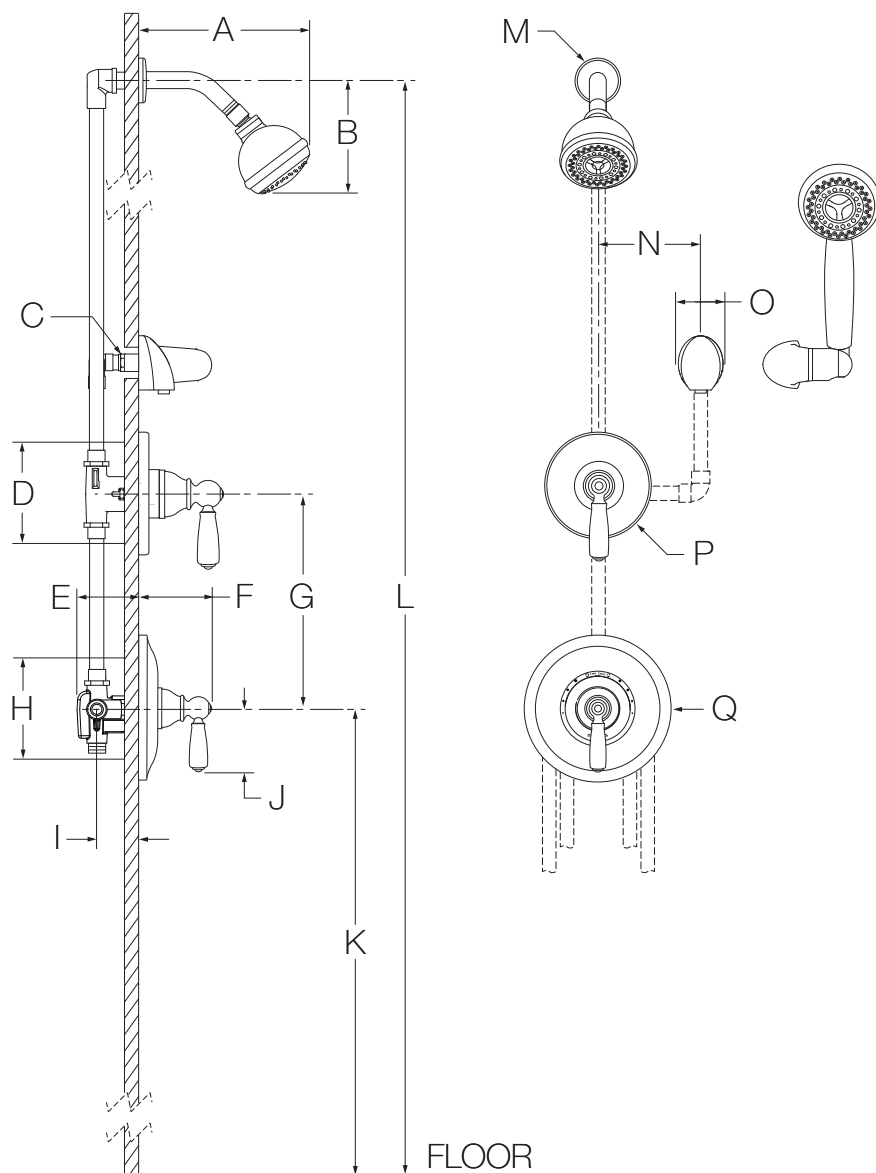
Limited Lifetime - to the original end purchaser in consumer/residential installations.
5 Years - for industrial/commercial installations.
Refer to www.symmons.com/warranty for complete warranty information.
Go to www.symmons.com/register to register your Symmons product.

Options/Modifications

- 1.5**  1.5 gpm (5.7 L/min) flow restrictor
- 2.0** 2.0 gpm (7.6 L/min) flow restrictor
- 72** 72" hose in place of 60" hose
- ADACHS** ADA hand shower wand (chrome)
- ADAHS** ADA hand shower wand (white)
- EX** Exposed column/slide bar, hand shower bracket and hand shower wand (35EX)
- H321-V** 1 mode hand shower unit with slide bar
- H323-V** 3 mode hand shower unit with slide bar
- H323-V-48** 3 mode hand shower unit with 48" slide bar
- H3524** 24" decorative slide/grab bar with ADA wand
- H3536** 36" decorative slide/grab bar with ADA wand
- L1** Less showerhead
- L2** Less hand shower wand
- L3** Less showerhead & hand shower wand
- LAM**  Metal finish insert handle
- LR**  Lever handle
- QD** Quick-disconnect on hand shower units
- R** 60" white vinyl hose in place of 60" metal hose
- REB** Rebuild trim kit, includes TA-10 and TA-4
- T724** 24" slide bar/grab bar with ADA wand
- T736** 36" slide bar/grab bar with ADA wand
- T748** 48" slide bar/grab bar with ADA wand
- VB** Elevated vacuum breaker
- VP** Vandal resistant escutcheon screws in place of standard screws
- STN** Satin Nickel finish

Note: Append appropriate -suffix to model number.

Dimensions



Measurements	
A	6-3/4", 171 mm
B	5-1/2", 140 mm
C	Male 1/2" NPT fitting must be recessed 1/4" (6 mm) from finished wall
D	Diverter Valve Hole Size Min. Ø 3", 76 mm Max. Ø 3-1/4", 83 mm
E	3-1/2", 89 mm
F	4-1/8", 105 mm
G	Ref. 10", 254 mm
H	Shower Valve Hole Size Min. Ø 3", 76 mm Max. Ø 4", 102 mm
I	Rough-in 2-3/8" ± 1/2", 60 mm ± 13 mm
J	3-1/8", 79 mm
K	Ref. 42", 1067 mm
L	Ref. 77", 1956 mm
M	Ø 2-1/2", 64 mm
N	6", 152 mm
O	2-1/8", 54 mm
P	Ø 5", 127 mm
Q	Ø 7", 178 mm

Notes:

- 1) Valve body and piping not included and shown as reference only.
- 2) Plaster shield (p/n T-176) for dry wall, plaster or other type walls 1/2" or greater.
- 3) All dimensions measured from nominal rough-in (see I as reference).
- 4) Dimensions subject to change without notice.