



Location:

SYMMONS® Unity®

the smart choice™

6602-TRM, 6602TRMTC
Tub/Shower Trim
Specification Submittal



Feature Highlights

- Unity Tub/Shower Trim
- Requires Temptrol® Pressure Balancing Tub/Shower Valve
- Metal lever handle
- 5-1/2" diverter tub spout
- 1 mode showerhead with easy to clean nozzles
- 2.5 gpm (9.5 L/min) flow restrictor
- Components shall be metal and nonmetallic construction, plated in standard Polished Chrome finish
- Available with TA-10 flow control spindle and T-12A cap assembly for Temptrol valve bodies installed with Test Cap (order p/n 6602TRMTC)

Model Numbers

- 6602-TRM**
Tub/Shower Trim, Temptrol Pressure Balancing Tub/Shower Valve ordered separately
- 6602TRMTC**
Tub/Shower Trim with TA-10 flow control spindle and T-12A cap assembly, must order Temptrol valve with Test Cap

Compliance



- ASME A112.18.1/CSA B125.1



Warranty

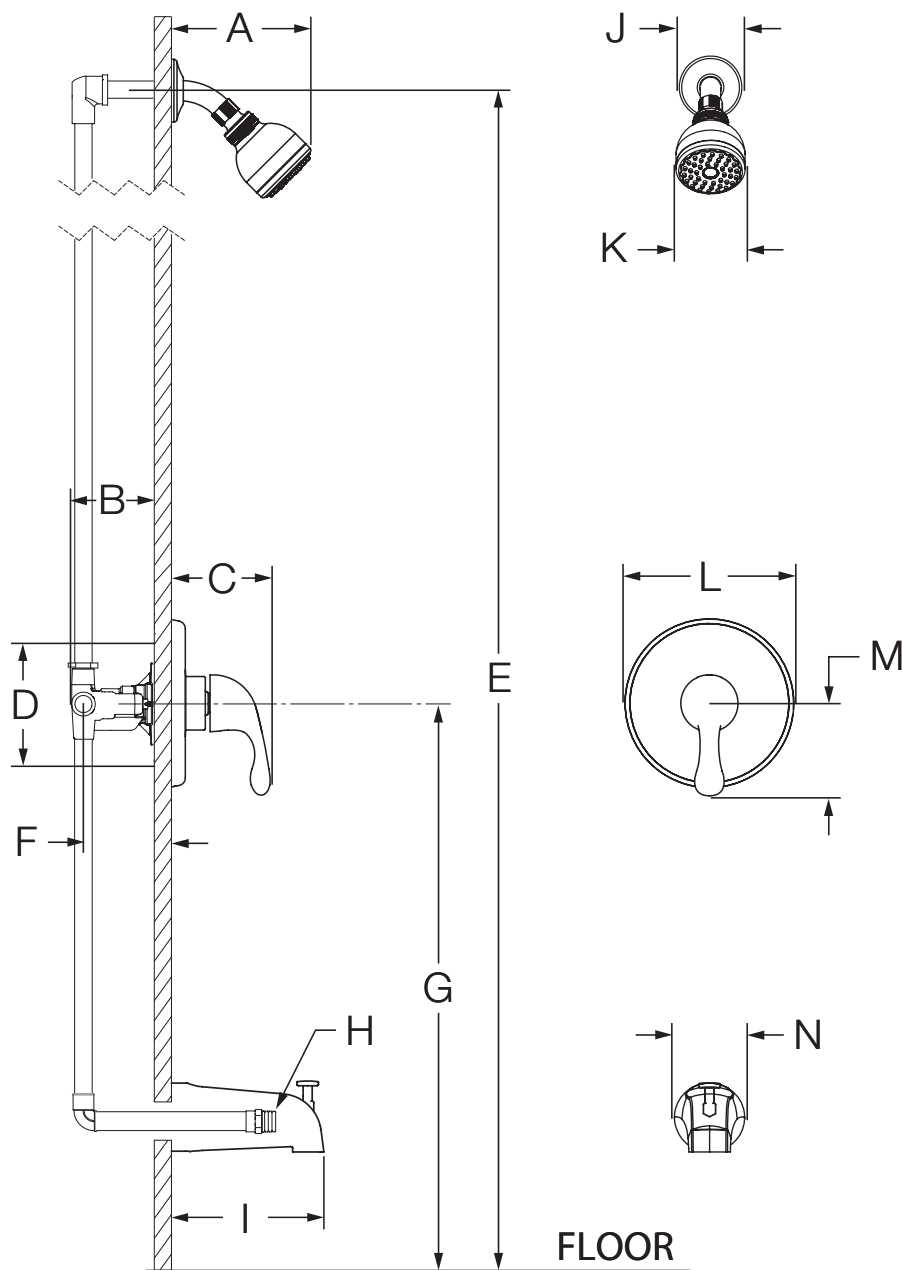
Limited Lifetime - to the original end purchaser in consumer/residential installations.
5 Years - for industrial/commercial installations.
 Refer to www.symmons.com/warranty for complete warranty information.
 Go to www.symmons.com/register to register your Symmons product.

Options/Modifications

- 1.5**  1.5 gpm (5.7 L/min) flow restrictor
- 2.0** 2.0 gpm (7.6 L/min) flow restrictor
- 143** 3 mode showerhead
- 145** 5 mode showerhead
- 231** Super showerhead
- EX** Exposed column/slide bar, hand shower bracket and hand shower wand (35EX)
- L1** Less showerhead
- LP**  Loop handle
- REB** Rebuild trim kit, includes TA-10 and TA-4
- SS** Slip spout
- VP** Vandal resistant escutcheon screws in place of standard screws
- STN** Satin Nickel finish

Note: Append appropriate -suffix to model number.

Dimensions



| Measurements | |
|--------------|---|
| A | 6 3/8", 162 mm |
| B | 3 1/2", 89 mm |
| C | 3 3/4", 95 mm |
| D | Shower Valve Hole Size Min. Ø 3", 76 mm Max. Ø 4" 102 mm |
| E | Ref. 77", 1956 |
| F | Rough-in 2 3/8" ± 1/2", 60 mm ± 13 mm |
| G | Ref. 32", 813 mm |
| H | Male 1/2" NPT fitting must protrude 4" from finished wall |
| I | 5 1/4", 133 mm |
| J | Ø 2 1/2", 64 mm |
| K | Ø 2 3/4", 70 mm |
| L | Ø 6 3/8", 162 mm |
| M | 3 1/2", 89 mm |
| N | Ø 2 1/2", 64 mm |

Notes:

- 1) Valve body and piping not included and shown as reference only.
- 2) Plaster shield (p/n T-176) for dry wall, plaster or other type walls 1/2" or greater.
- 3) All dimensions measured from nominal rough-in (see F as reference).
- 4) Dimensions subject to change without notice.