



Square Shower Arm and Flange 300SQ Specification Submittal

Model Numbers

- 300SQ Square shower arm and flange

Feature Highlights

- Long shower arm and flange
- Metal square flange
- 8" length
- Polished chrome finish (standard)

Finish Options

Append appropriate -suffix to model number.

- BBZ Brushed Bronze finish
- MB Matte Black finish
- STN Satin Nickel finish
- PNL Polished Nickel finish
- Polished Chrome finish (standard)

Standards / Certifications

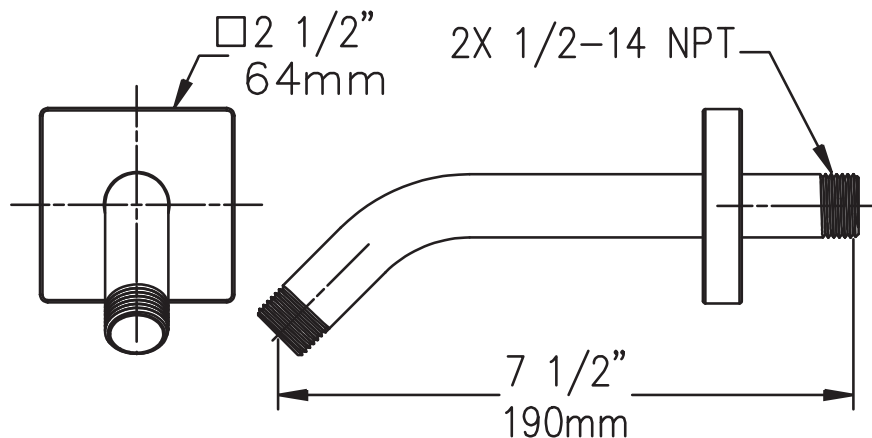
-ASME A112.18.1/CSA B125.1



Warranty

- Limited Lifetime - to the original end purchaser in residential / consumer installations.
- 5 years - for commercial installations

Dimensions Square Shower Arm and Flange, 300SQ



Note: Dimensions subject to change without notice.