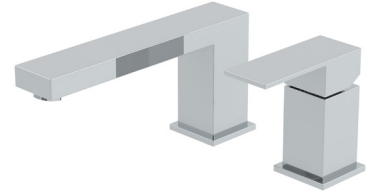




SYMMONS® DS Creations

the smart choice™

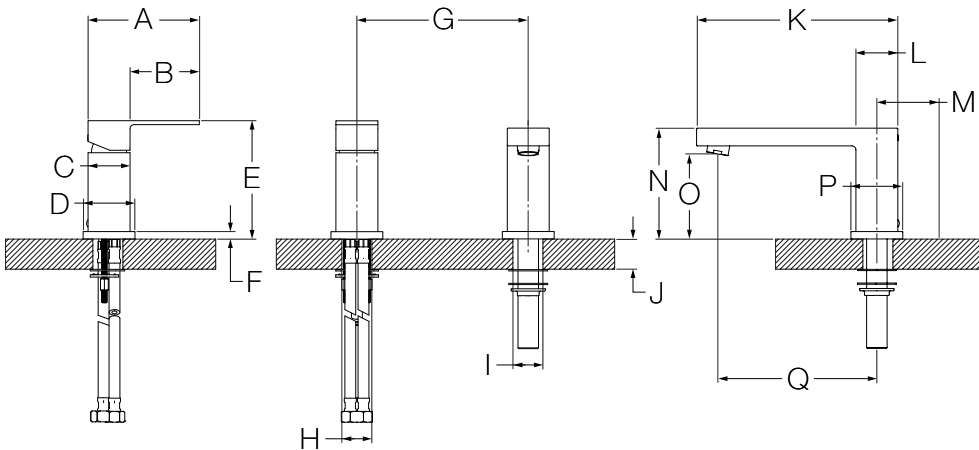
SRT-0231 (CDSRT0231-70) Single Handle Roman Tub Faucet Installation Guide



Model Numbers	Specification
<input type="checkbox"/> SRT-0231 <i>Single Handle Roman Tub Faucet</i>	Single Handle Roman Tub Faucet shall include quarter turn ceramic cartridge and 1/2" IPS inlet connections. Roman Tub Faucet shall be made from metal construction, plated in standard polished chrome finish.
Warranty Limited Lifetime - to the original end purchaser in consumer/residential installations. 5 Years - for industrial/commercial installations. Refer to www.symmons.com/warranty for complete warranty information.	



Dimensions

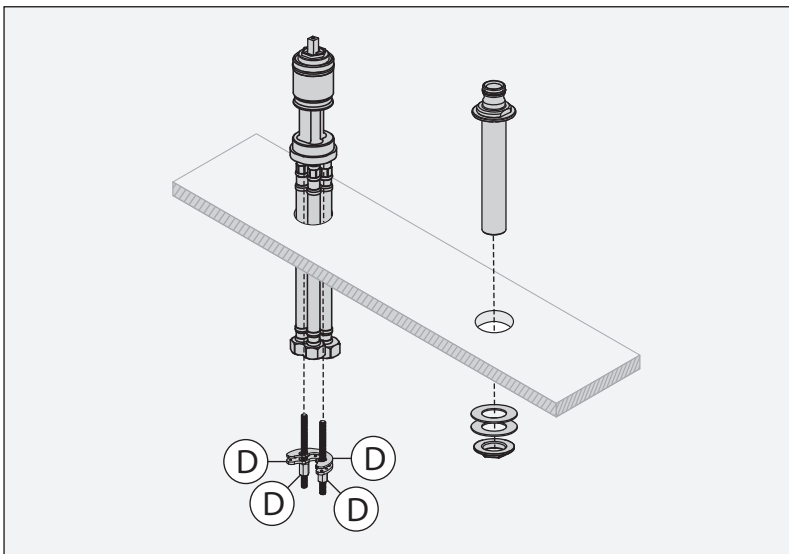


Measurements	
A	5-11/16", 144 mm
B	3-9/16", 90 mm
C	2-1/8", 54 mm
D	2-5/8", 67 mm
E	6", 152 mm
F	3/8", 10 mm
G	Max. 10", 254 mm
H	Hole Size Ø 1-1/2", 38 mm
I	Hole Size Ø 1-3/8", 35 mm
J	Deck Thickness Ref. Min. 1", 25 mm Max. 1-1/2", 38 mm
K	10-3/16", 259 mm
L	2-1/8", 54 mm
M	Min. 2", 51 mm
N	5-5/8", 143 mm
O	4-5/16", 110 mm
P	2-5/8", 67 mm
Q	8-1/8", 206 mm

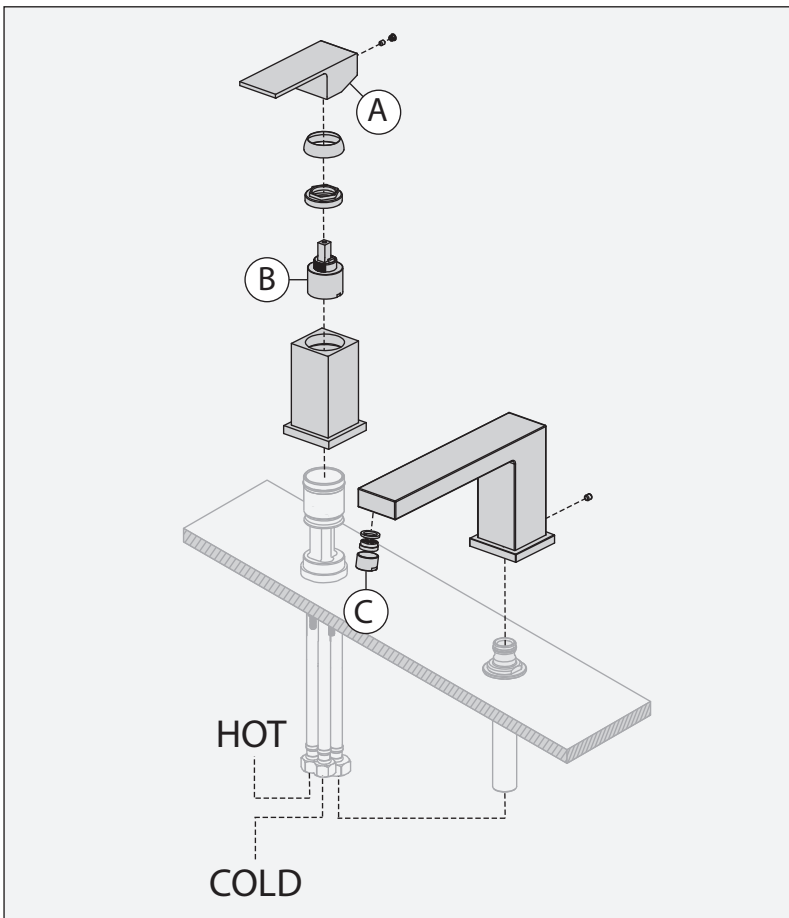
Note: Dimensions subject to change without notice.

Parts Breakdown

1) Install water bodies to deck surface.






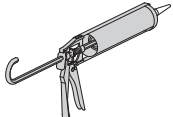
2) Install roman tub faucet trim to water bodies.



Replacement Parts

Item	Description	Part Number
A	Handle Kit	RT-001
B	Cartridge	RT-008
C	Aerator	FLR-02704
D	Mounting Hardware	RL-237

Tools Required for Installation

Adjustable Wrench	
Allen Wrench: Handle (2 mm) Spout (3 mm)	
Plumber Tape	
Silicone	

Notes:

- 1) Apply a bead of silicone around the perimeter of trim installed flush to sink.
- 2) Apply plumber tape to all threaded connections.

⚠ WARNING: This product can expose you to chemicals including lead, which is known to the state of California to cause cancer, birth defects, or other reproductive harm. For more information, go to www.P65Warnings.ca.gov.