

SPEAKMAN® SA-2005

Neo Paper Holder

FEATURES:

- Brass construction
- Modern design
- Mounting hardware included

FINISH:



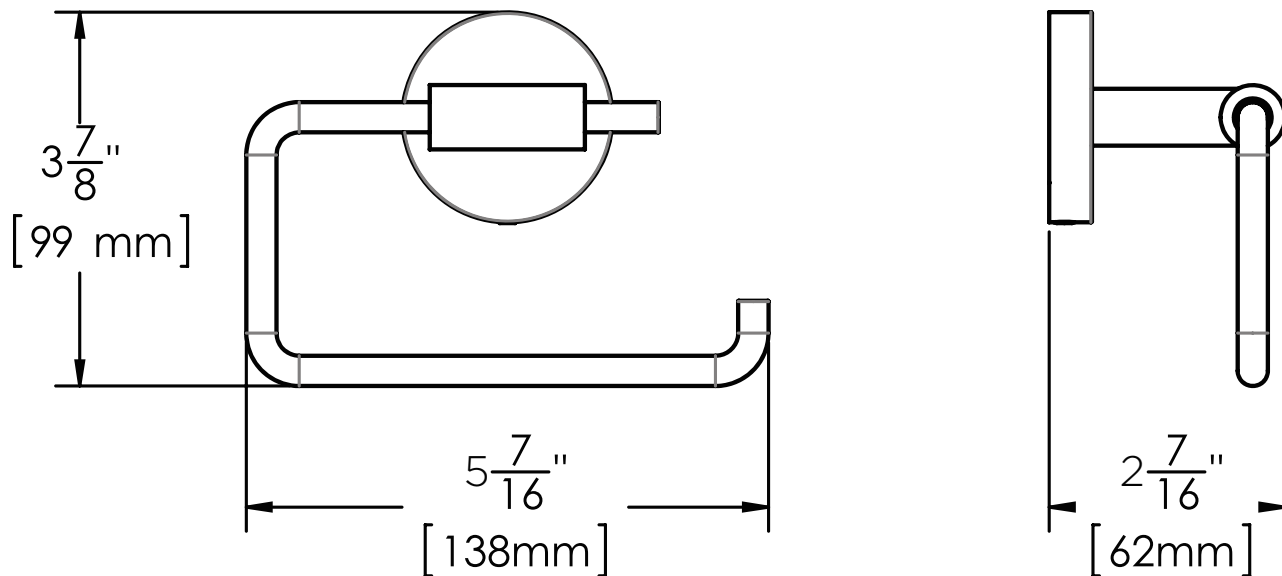
PC BN

WARRANTY:

- 1 year limited



DIMENSIONS:

 NOTE: 1. All dimensions are in inches (millimeters) unless otherwise specified and are subject to change without notice.

Architect/Engineer Approval Space:

SPEAKMAN
400 ANCHOR MILL ROAD
NEW CASTLE, DE 19720

P: 800-537-2107
F: 800-977-2747
W: WWW.SPEAKMAN.COM
R: NOVEMBER 2015