

# SPEAKMAN® S-2310

## Volume Control

### FEATURES:

- Polished chrome plated brass thumb operated volume control.
- 1/2" NPTM x 1/2" NPTF connections.

### FINISH:



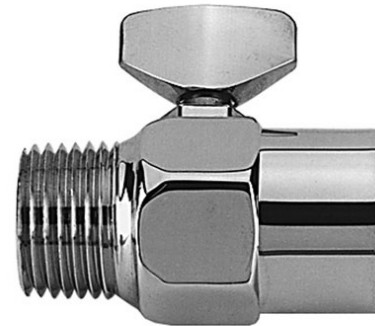
PC

### COMPLIANCE:

- ASME A112.18.1/CSA B125.1 certified

### WARRANTY:

- 5 year limited



### DIMENSIONS:

NOTE: 1. All dimensions are in inches (millimeters) unless otherwise specified and are subject to change without notice.

