

Kubos™ Double Paper Holder

FEATURES:

- Double Paper Holder measures 12" wide
- Spring-loaded paper holder
- Brass construction
- Corrosion resistant finishes
- Mounting hardware is included
- Coordinates with Kubos Collection

STOCK FINISHES:



PC BN

SPECIALTY FINISHES:

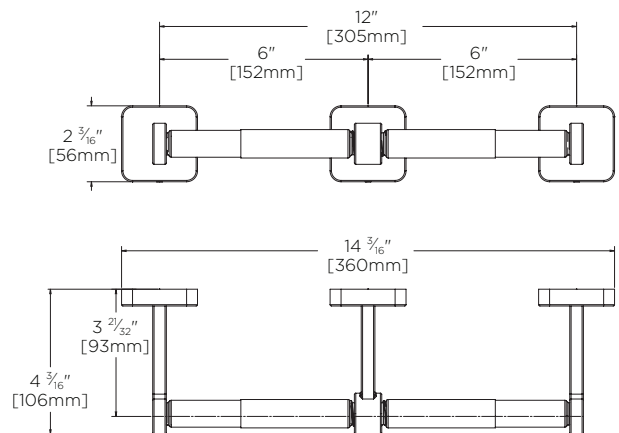


BBZ MB ORB PB PN

WARRANTY:

Visit www.speakman.com for full product warranty information

- Limited Lifetime Warranty (consumer)
- 1 Year Limited Warranty (commercial)



All dimensions are in inches (millimeters) unless otherwise specified and are subject to change without notice.

Architect/Engineer Approval Space:

P: 800-537-2107
 F: 800-977-2747
 W: WWW.SPEAKMAN.COM
 R: 02-NOVEMBER 2019