

## Caspian Shower Combination

### FEATURES:

- Caspian Hand Shower Head VS-3014
- ADA Grab Bar VS-153-ADA
- Caspian Pressure Balance Valve and Trim SM-7000-P
- Arm and Flange S-2500
- Caspian Diverter Tub Spout S-1562
- Trickle Adapter VS-156
- 2.5 gpm (9.5 L/min) flow rate

### FINISH:



PC BN

### COMPLIANCE:

- ASME A112.18.1/CSA B125.1 compliant

### MODELS:

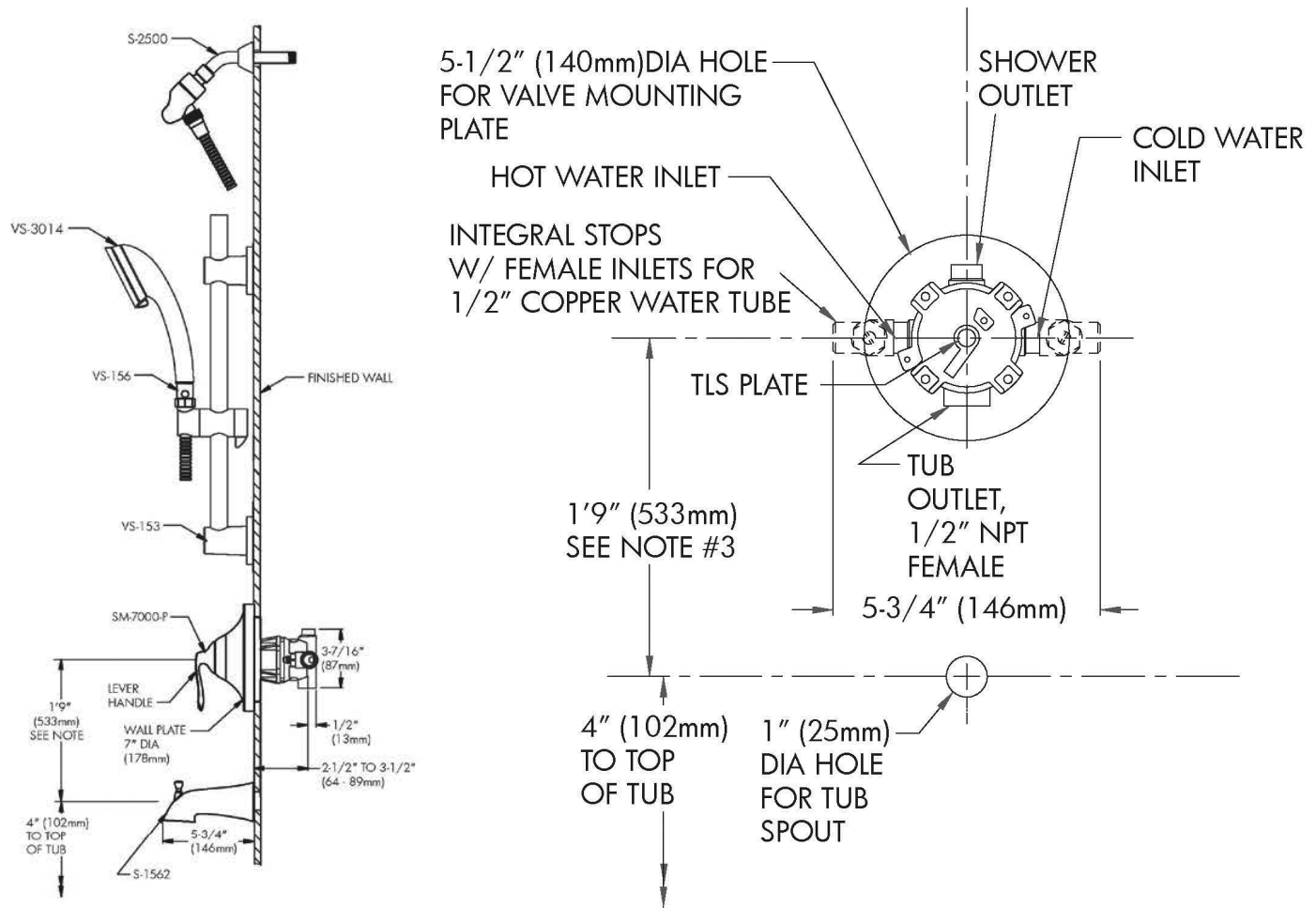
- ❑ SM-7090-ADA-P: with S-1562 diverter tub spout
- ❑ SM-7080-ADA-P: without S-1562 diverter tub spout

### WARRANTY:

- Consumer Shower Head: Limited Lifetime Warranty
- Commercial Shower head: 1 Year Limited
- Valve: 5 Year Limited
- Accessories: 1 Year Limited



**DIMENSIONS:** NOTE: 1. All dimensions are in inches (millimeters) unless otherwise specified and are subject to change without notice. 2. Unless otherwise specified, all inlets and outlets are 1/2" female copper sweat. 3. For ADA mounting locations, consult ADAAG, ANSI A117.1, or static regulations.  
Contractor pack valves & trim kits available.



Architect/Engineer Approval Space:

SPEAKMAN  
400 ANCHOR MILL ROAD  
NEW CASTLE, DE 19720

P: 800-537-2107  
F: 800-977-2747  
W: WWW.SPEAKMAN.COM  
R: JANUARY 2017