



# INSTALLATION

**PIONEER INDUSTRIES, INC.**  
3325 S. Garfield Ave.  
Commerce, CA 90040  
(800) 338-9468  
www.pioneerind.com

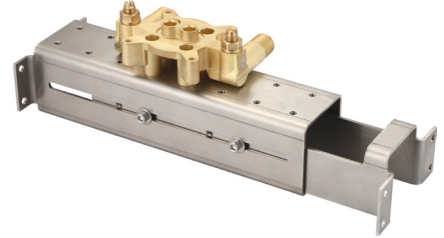
### Tools:



## Model Number: 4400B, 4410B

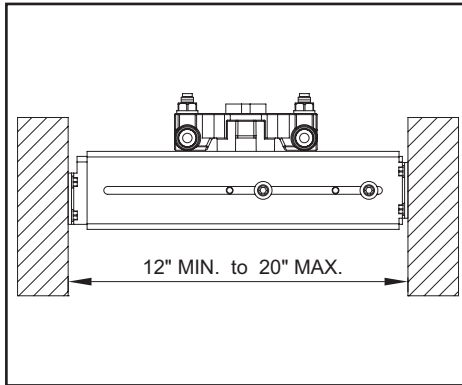
### Warnings and Notes:

Check with local plumbing code requirements before installation.  
This product should be installed by a local listed plumber.  
**Do not use plumbers putty on threads.**

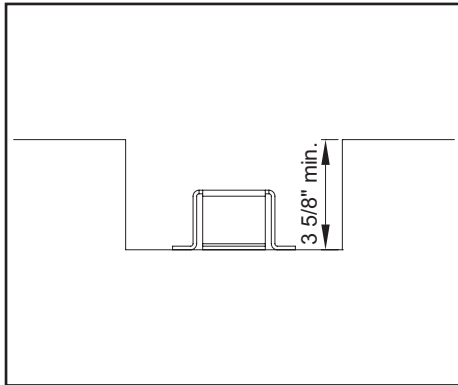


## Installation Steps:

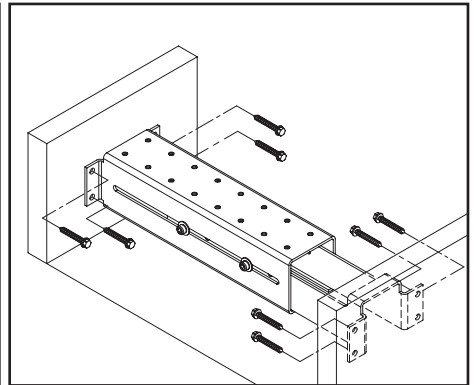
### Rough Valve



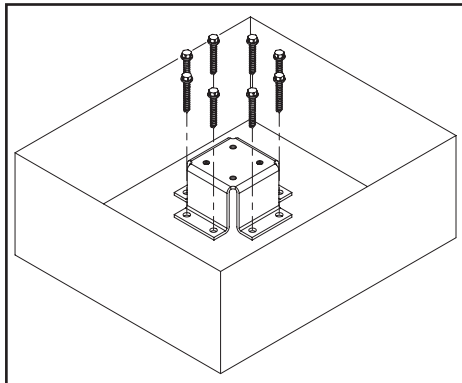
(1) Please refer the Min & Max requirements for the distance of the two joists.



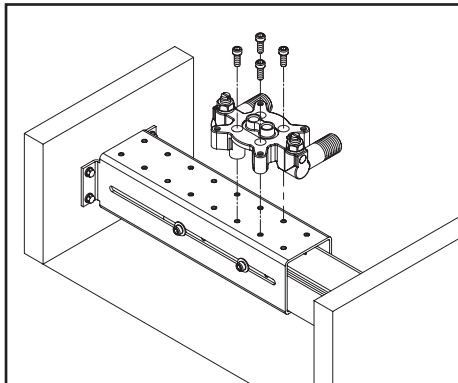
(2) Please refer to the height requirement from the bottom of the mounting bracket to the finished floor.



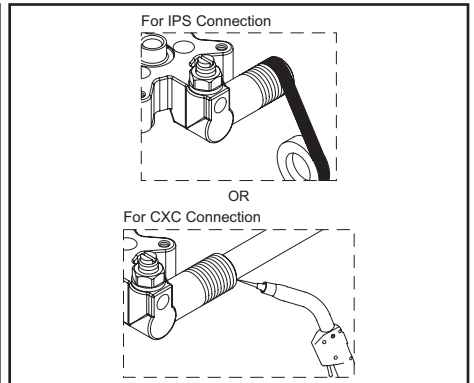
(3) For 4400B, adjust to the proper length, tighten the screws to secure two sides of the mounting bracket on the joists. Tighten bolts & washers to secure two sides of the mounting bracket.



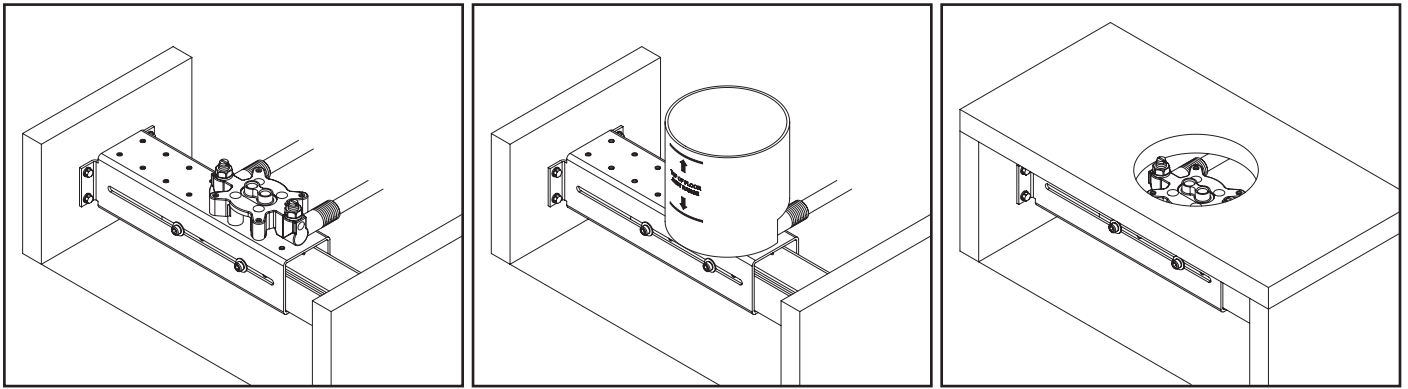
(4) For 4410B, use supplied screws to secure the mounting bracket on the floor.



(5) Tighten bolts to secure the rough-in valve on the mounting bracket.



(6) For IPS connection: Apply Teflon tape on the thread ends before connecting to the inlet supply pipes. For CXC connection: remove both sides of the inlet stop assembly before soldering. Re-install both sides of the inlet stop assembly after soldering inlet supply pipes.



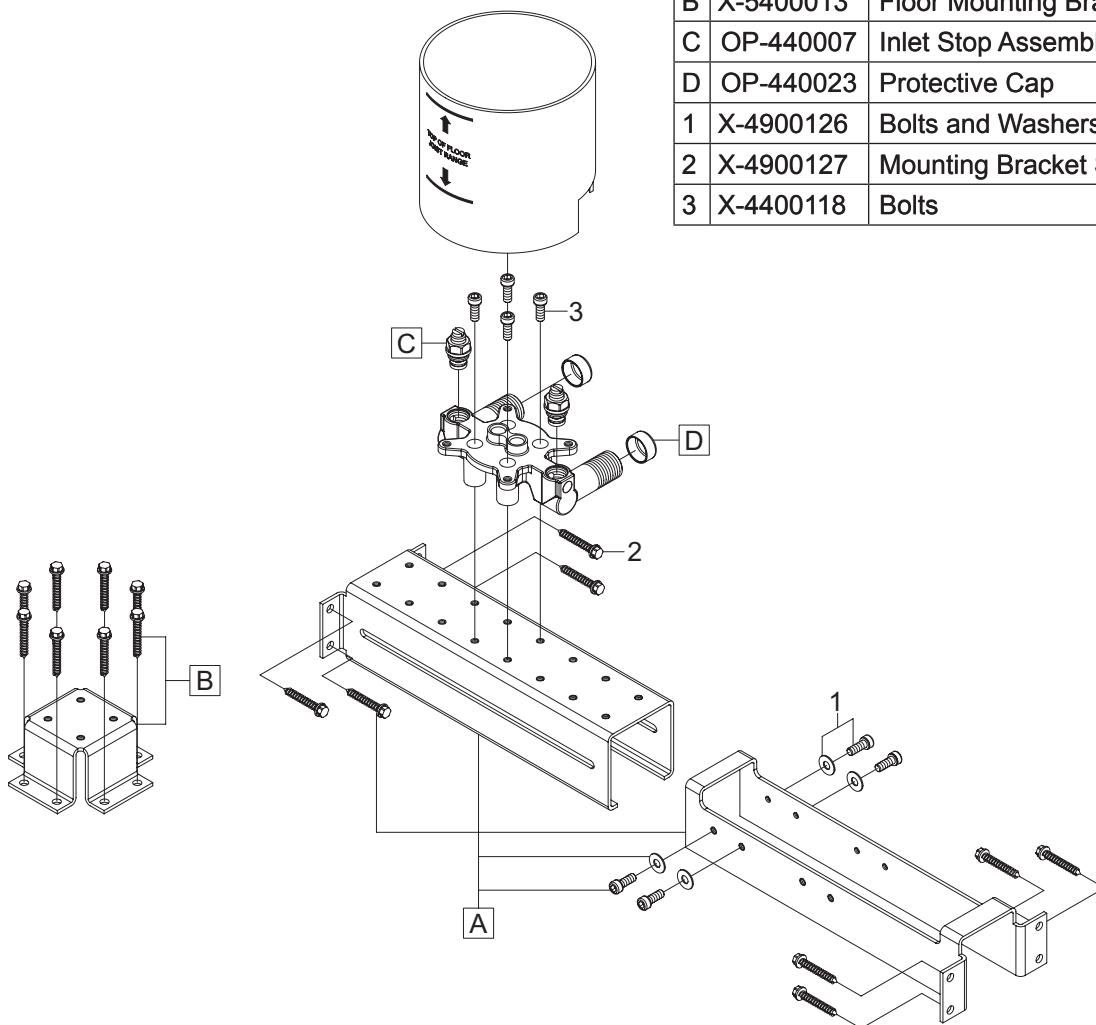
(7) Connect both inlet supply pipes to the rough-in valve.

(8) Protect the rough-in valve with the supplied cover before the finished floor is done.

(9) Open the access hole on the finished floor for trim set connection use.

## Exploded Drawing :

	ITEM #	DESCRIPTION
A	X-5400012	Floor Joist Mounting Bracket with Screws
B	X-5400013	Floor Mounting Bracket with Screws
C	OP-440007	Inlet Stop Assembly
D	OP-440023	Protective Cap
1	X-4900126	Bolts and Washers
2	X-4900127	Mounting Bracket Screws
3	X-4400118	Bolts



For more care information or trouble shooting inquiries about your Pioneer product, please call:  
**Pioneer Industries, Inc.** (800) 338-9468  
 Monday-Friday 8 AM to 8 PM EST (5 AM to 5 PM PST)  
[www.pioneerind.com](http://www.pioneerind.com)