

**SCHEDULE 20 CABLE DRAIN
WITH FLEXIBLE OVERFLOW**

BDR20S22-2 ~ BDR20S27-2

BDR20S35-2 ~ BDR20S45-2

BDR20S61-2

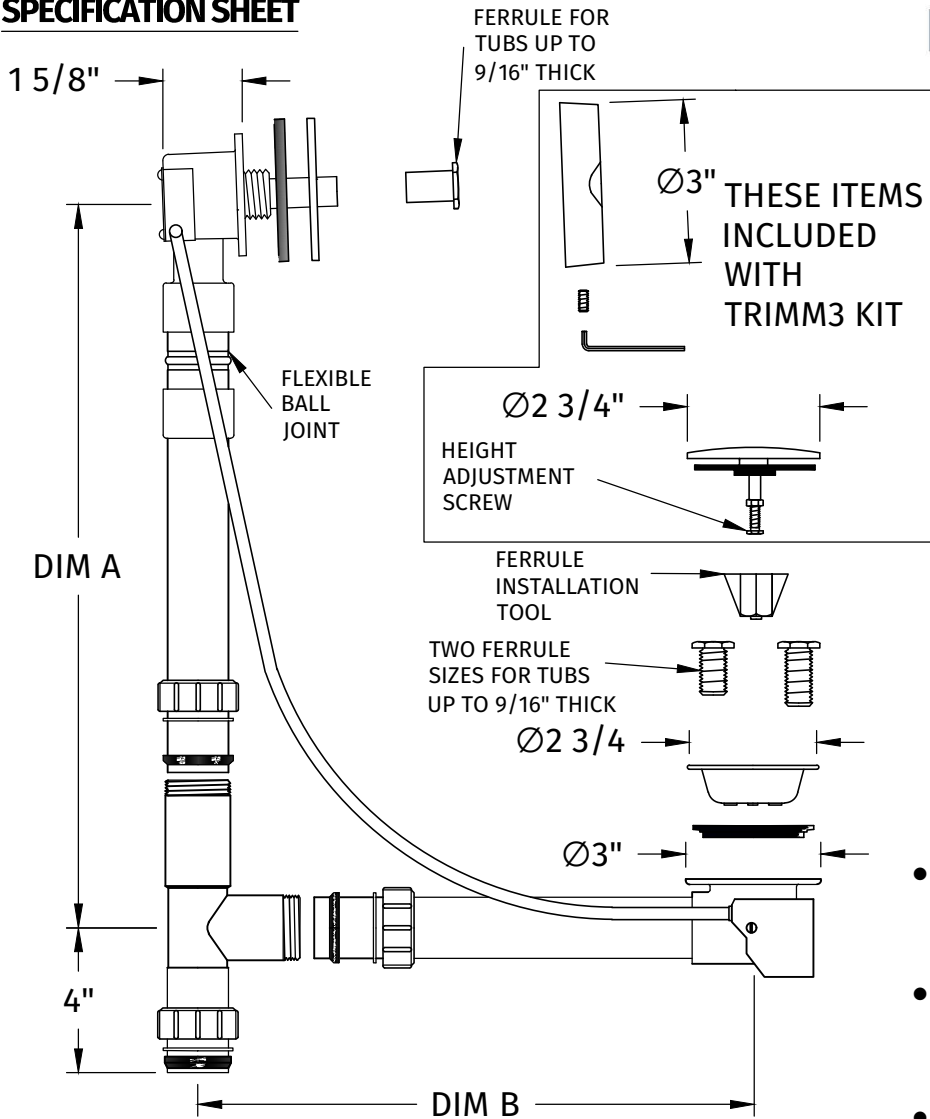


A McAlpine Company

Mountain
Plumbing Products



SPECIFICATION SHEET



- FEATURES FLEXIBLE PRE-GLUED BALL JOINT ON OVERFLOW
- INCLUDES ADAPTERS TO CONNECT TO ABS OR PVC DRAIN
- FITS TUBS UP TO 9/16" THICK
- INTENDED FOR TUBS WITH Ø2" DRAIN OPENING
- Ø1 1/2" SCHEDULE 20 PIPE CAN BE CUT TO SIZE

MODEL NO.	DIM A*	DIM B*	CABLE LENGTH
BDR20S22-2	12"-22"	7"-12"	27"
BDR20S27-2	22"-28"	7"-12"	39"
BDR20S35-2	22"-28"	13"-20"	39"
BDR20S45-2	22"-28"	22"-27"	39"
BDR20S61-2	26"-33"	22"-29"	50"

*VARIES DEPENDING ON TUB SIZE

WARRANTY

FOR WARRANTY INFO PLEASE VISIT WWW.MOUNTAINPLUMBING.COM/PAGE/RESOURCES/WARRANTY

FINISH CARE & MAINTENANCE

NEVER USE ANY HARSH ALKALI, ACID BASED DETERGENTS OR CLEANERS SUCH AS SOFT SCRUB®, SCRUBBING BUBBLES® OR COMET® TO CLEAN. DO NOT USE BRILLO® AND SCOTCH BRITE® PADS. THESE WILL ALL HARM THE FINISH. TO CLEAN, USE ONLY A DAMP SOFT CLOTH AND WIPE USING A SOFT CLOTH. STANDARD WINDEX® CAN ALSO BE USED SPARINGLY. IT IS NOT NECESSARY TO WIPE HARD TO REMOVE SPOTS. TO MAINTAIN THE FINISH, WIPE WITH A SOFT DRY CLOTH AFTER USE. AN OCCASIONAL COAT OF PURE CARNAUBA WAX WITHOUT CLEANERS WILL HELP PROTECT THE FINISH.

SPECIFICATIONS SUBJECT TO CHANGE WITHOUT NOTICE