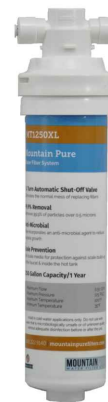
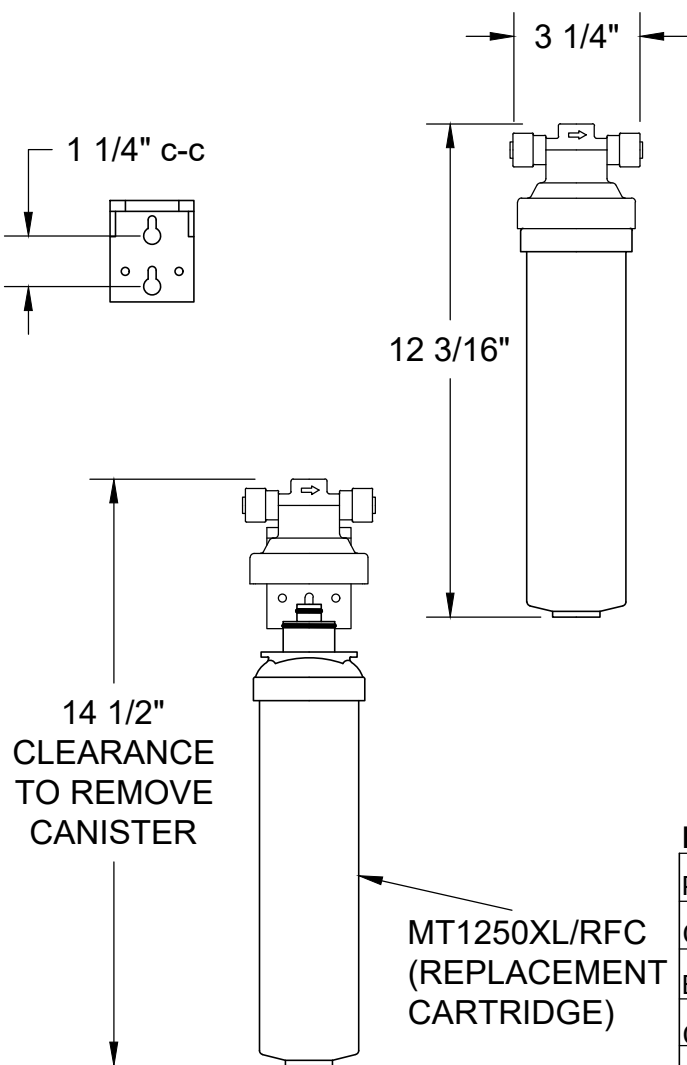


MT1250XL

MOUNTAIN PURE[®] CARBON FILTRATION SYSTEM



SPECIFICATION SHEET



- 1/4 TURN AUTOMATIC SHUTOFF VALVE
- UTILIZES POWDERED ACTIVATED CARBON AND LEAD ABSORBENT MEDIA
- ANTI-MICROBIAL AGENT INCORPORATED TO REDUCE BACTERIA
- ANTI-SCALE MEDIA TO PROTECT AGAINST SCALE BUILD UP IN FAUCET AND HOT TANK (SOLD SEPARATELY)
- 1250 GALLON CAPACITY (APPROX. ONE YEAR BASED ON AVERAGE USAGE)
- OPERATED WITHOUT WASTING WATER LIKE R.O. SYSTEMS
- 5 FEET OF 1/4" TUBING INCLUDED

IMPURITIES REMOVED:

PREVENTS SCALE	ASBESTOS FIBERS
CHLORINE	OXIDIZED IRON
BAD TASTE/ODORS	99.9% OF PARTICLES >.5 MICRONS
CHLORAMINES	LEAD
DIRT AND DUST	TRIHALOMETHANES
GIARDIA LAMBIA CYSTS	VOLATILE ORGANIC CHEMICALS
CRYPTOSPORIDIUM CYSTS	TURBIDITY
MOLDS AND ALGAE	PATHOGENIC BACTERIA

WARRANTY

FOR WARRANTY INFO PLEASE VISIT WWW.MOUNTAINPLUMBING.COM/PAGE/RESOURCES/WARRANTY

FINISH CARE & MAINTENANCE

NEVER USE ANY HARSH ALKALI, ACID BASED DETERGENTS OR CLEANERS SUCH AS SOFT SCRUB[®], SCRUBBING BUBBLES[®] OR COMET[®] TO CLEAN. DO NOT USE BRILLO[®] AND SCOTCH BRITE[®] PADS. THESE WILL ALL HARM THE FINISH. TO CLEAN, USE ONLY A DAMP SOFT CLOTH AND WIPE USING A SOFT CLOTH. STANDARD WINDEX[®] CAN ALSO BE USED SPARINGLY. IT IS NOT NECESSARY TO WIPE HARD TO REMOVE SPOTS. TO MAINTAIN THE FINISH, WIPE WITH A SOFT DRY CLOTH AFTER USE. AN OCCASIONAL COAT OF PURE CARNAUBA WAX WITHOUT CLEANERS WILL HELP PROTECT THE FINISH.

SPECIFICATIONS SUBJECT TO CHANGE WITHOUT NOTICE

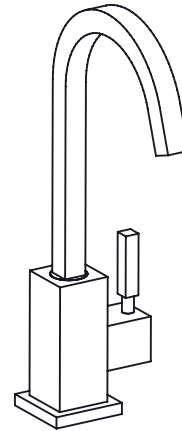
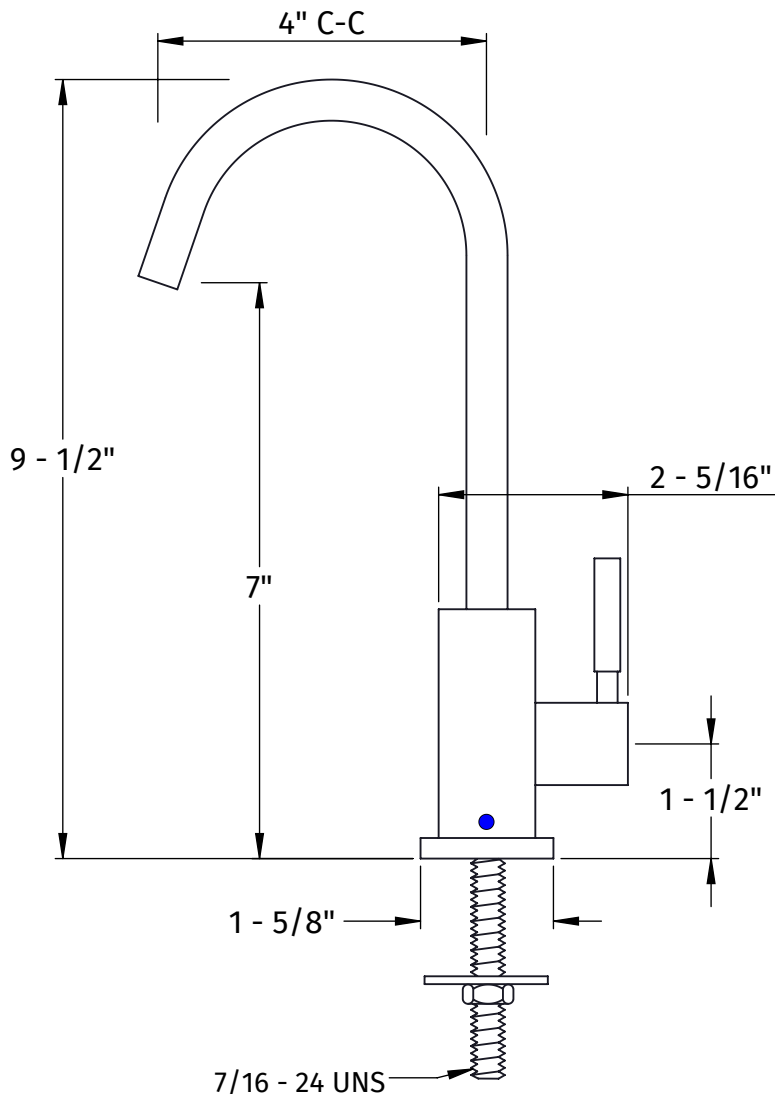
MT1883-NL

MINI COLD WATER FAUCET WITH CONTEMPORARY SQUARE BODY & HANDLES



Mountain
Plumbing Products

SPECIFICATION SHEET



- \varnothing 1/2" MOUNTING HOLE REQUIRED (CAN BE AS LARGE AS 1 1/2")
- WILL FIT DECK UP TO 2 1/4" THICK
- 1/4 TURN CERAMIC CARTRIDGE
- HANDLE IS NOT SPRING-LOADED
- REVERSE OSMOSIS SAFE (NO DECORATIVE AIR GAP AVAILABLE)
- INCLUDES CONNECTION HARDWARE TO CONNECT TO 1/4" TUBING (TUBING NOT INCLUDED)
- COMPATIBLE WITH MT1250XL, MT660, AND MT662 FILTRATION SYSTEMS (SOLD SEPARATELY)
- ALSO COMPATIBLE WITH MT670-2 WATER CHILLER (SOLD SEPARATELY)
- NOT FOR USE WITH INSTANT HOT TANKS SUCH AS MT641-3

WARRANTY

FOR WARRANTY INFO PLEASE VISIT WWW.MOUNTAINPLUMBING.COM/PAGE/RESOURCES/WARRANTY

FINISH CARE & MAINTENANCE

NEVER USE ANY HARSH ALKALI, ACID BASED DETERGENTS OR CLEANERS SUCH AS SOFT SCRUB®, SCRUBBING BUBBLES® OR COMET® TO CLEAN. DO NOT USE BRILLO® OR SCOTCH BRITE® PADS. THESE WILL ALL HARM THE FINISH. TO CLEAN, USE ONLY A DAMP SOFT CLOTH AND WIPE GENTLY. STANDARD WINDEX® CAN ALSO BE USED SPARINGLY. IT IS NOT NECESSARY TO WIPE HARD TO REMOVE SPOTS. TO MAINTAIN THE FINISH, WIPE WITH A SOFT DRY CLOTH AFTER USE. AN OCCASIONAL COAT OF PURE CARNAUBA WAX WITHOUT CLEANERS WILL HELP PROTECT THE FINISH.

SPECIFICATIONS SUBJECT TO CHANGE WITHOUT NOTICE