

BATHROOM
Canterbury Exposed Deck-
Mounted Tub Filler w/Handshower
Set
G-3890-C2

GRAFF®



Information

- Includes matching handshower
- Handshower includes ceramic handle insert
- Handshower flow rate ≤ 1.5 max gpm
- Includes 59" shower hose
- Includes deck-mounted pillar unions
- Optional in-line pressure balancing valve
- Spout flow rate ~ 15.6 gpm @45 psi

G-3890-C2

Canterbury Collection

Exposed Deck-Mounted Tub Filler with Handshower Set

GRAFF®



Product Features

- Includes matching handshower
- Handshower includes ceramic handle insert
- Handshower flow rate ≤ 1.5 max gpm
- Spout flow rate ~ 9 gpm @45 psi
- Includes 59" shower hose
- Includes deck-mounted pillar unions

Available Finishes

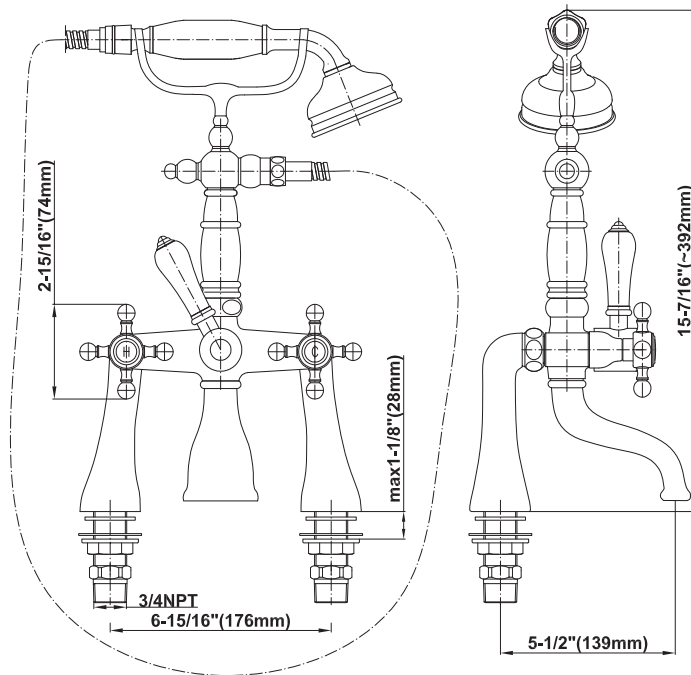
- Polished Chrome
G-3890-C2-PC
- Polished Nickel
G-3890-C2-PN
- Steelnox (Satin Nickel)
G-3890-C2-SN
- Olive Brass
G-3890-C2-OB
- Vintage Brushed Brass*
G-3890-C2-VBB*
- 24K Brushed Gold*
G-3890-C2-BAU*
- 24K Gold*
G-3890-C2-AU*

* Special order finish- call for availability

Warranty

- Limited lifetime warranty

For complete warranty information go to www.graff-designs.com/en-nam/warranty



The measurements shown are for reference only. Products and specifications shown are subject to change without notice. Revised 9/2019

www.graff-designs.com | phone: 800-954-4723

BATHROOM
Canterbury Exposed Tub Filler -
Trim Only
G-3852-C2

GRAFF®



Information

- Includes matching handshower
- Handshower includes ceramic handle insert
- Includes 59" shower hose
- Handshower flow rate ≤ 1.5 max gpm
- Spout flow rate ~ 15.6 gpm @45 psi

Finishes



24K Gold



24K Brushed
Gold



Olive Bronze



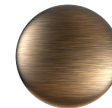
Polished
Chrome



Polished
Nickel



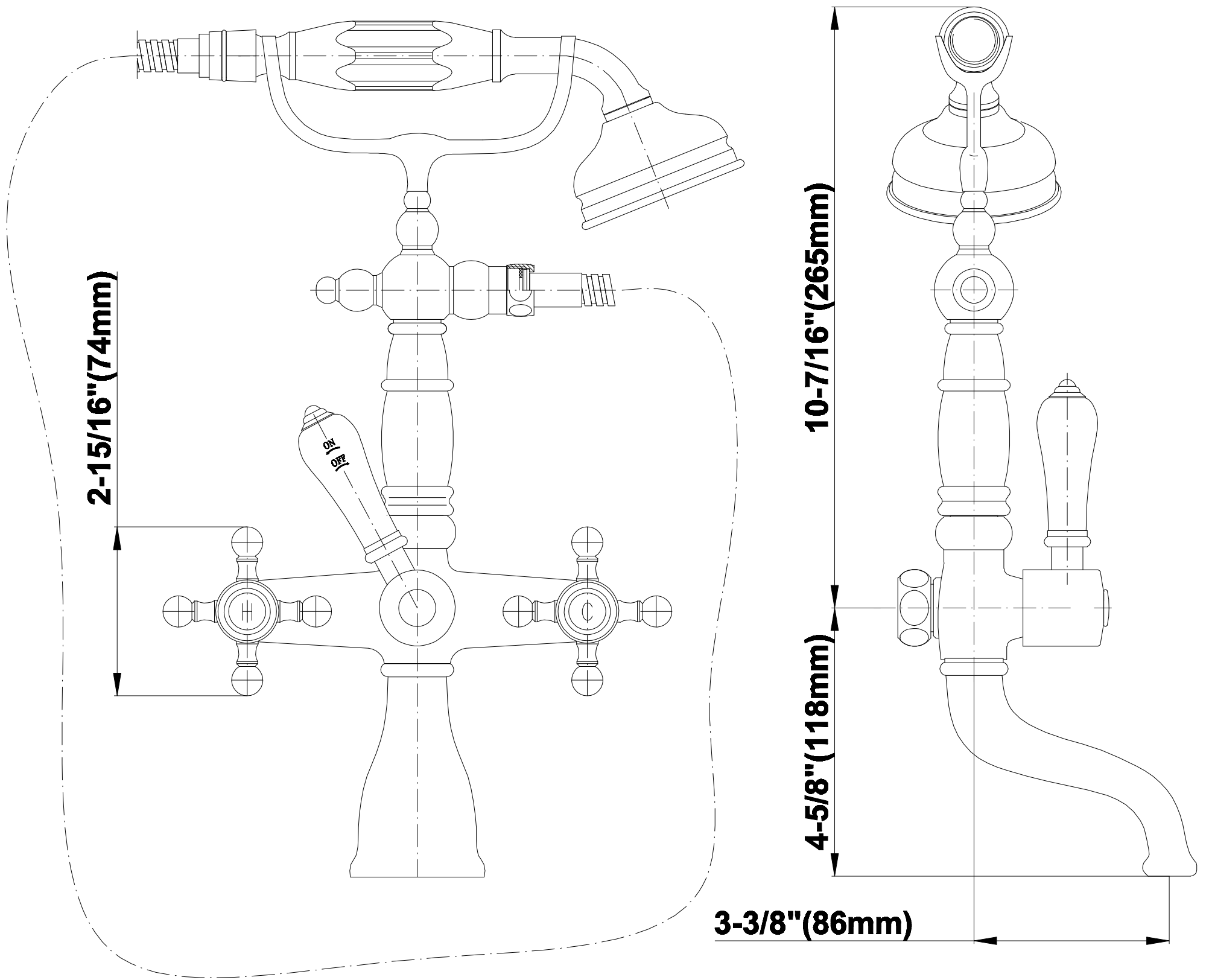
Steelnox®
(Satin Nickel)



Vintage
Brushed Brass

G-3852

CANTERBURY Series



BATHROOM
Canterbury Deck-Mounted Pillar
Unions
G-3891

GRAFF[®]



Finishes



24K Gold



24K Brushed
Gold



Olive Bronze



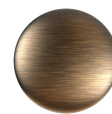
Polished
Chrome



Polished
Nickel



Steelnox[®]
(Satin Nickel)



Vintage
Brushed Brass

G-3891

CANTERBURY Series

