

**SPECIFICATIONS**

**PRODUCT SPECIFICATIONS**

Outdoor Bottle Filler Foot Pedal Accessory. Overall dimensions are 7-7/16" x 5" x 12-3/4".

<b>Finish:</b>	Beige (BGE), Black (BLK), Blue (BLU), Brown (BRN), Evergreen (EVG), Gray (GRY), Orange (ORN), Purple (PUR), Red (RED), Terracotta (TER), White (WHT), Yellow (YLW)
<b>Dimensions:</b>	7-7/16" x 5" x 12-3/4"
<b>Shipping Weight:</b>	7 lbs.



- Convenient foot activation for healthier, hands-free bottle filling.
- Activates bottle filler only and will not activate attached fountains. Pedal will not deactivate the bottle filler push button.
- Attaches to lower access panel opening for secure connection and easy installation.
- Powder-coated exterior over Type 316 stainless steel provides protection from the elements.
- Available in 12 finishes to coordinate with outdoor tubular bottle filling stations.
- Compatible with select outdoor tubular bottle filling stations.

**Product Compliance:** ASME A112.18.1/CSA B125.1  
 NSF 372 (lead free)  
 NSF 61

[Installation Instructions \(PDF\)](#)



PART: \_\_\_\_\_ QTY: \_\_\_\_\_

PROJECT: \_\_\_\_\_

CONTACT: \_\_\_\_\_

DATE: \_\_\_\_\_

NOTES: \_\_\_\_\_

APPROVAL: \_\_\_\_\_

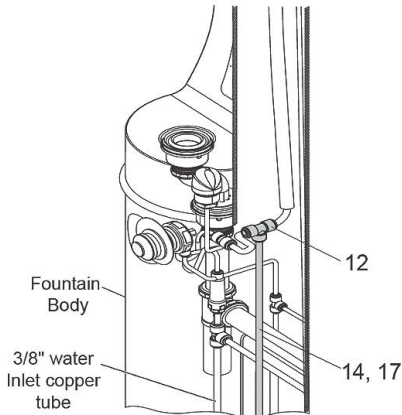
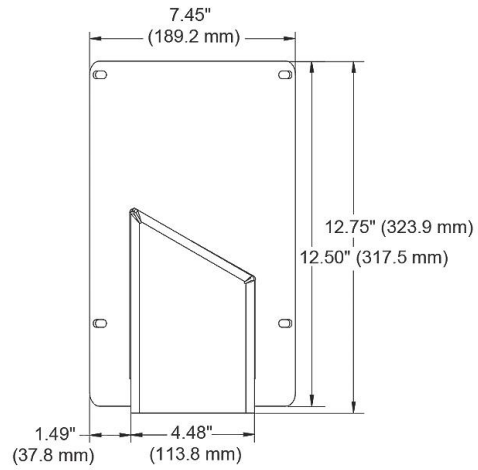
# SPECIFICATIONS

# Outdoor Bottle Filler Foot Pedal Accessory Model(s) 4481FP

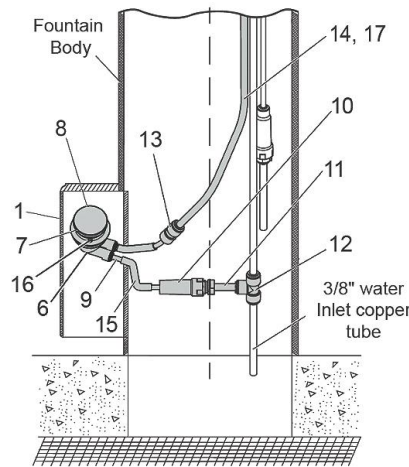
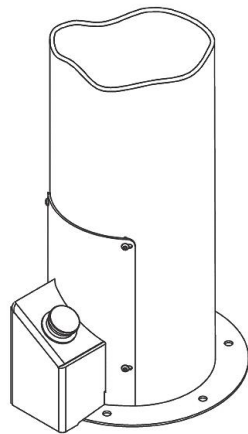
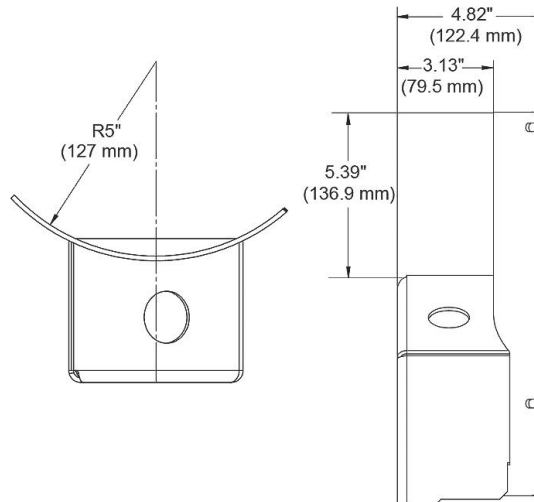
Parts List

ITEM NO.	PART NO.	DESCRIPTION
1	1000006138	ASSY, 4481 FP FOOT ACTIVATION
NS	28308C	WASHR-SPACER 2.00 O.D.
NS	40045C	NUT-HEX 1-5/16"
NS	10031C	1-1/8-24 RETAINING NUT
NS	1000004135	REGULATOR - HIGH FLOW WRAS
6	50985C	HOLDER-REGULATOR
7	45683C	SLEEVE - PUSH BUTTON GUIDE
8	45960C	BUTTON - PUSH W/O HOLE
9	55994C	TUBE-POLY 1/4X.040 WALL
10	1000004069	STRAINER-IN LINE WRAS
11	62223C	TUBE-CU 3/8 X 4.75 (1-P117)
12	70852C	FTTNG TEE - 3/8
13	70745C	FTTNG-UNION-3/8 X 1/4 UNION
14	56307C	TUBE-POLY 3/8X.062 WALL
15	50090C	INSULATOR-ARMAFLEX
16	75672C	SCREW-CAP #6-32
17	101461040560	INSULATOR-TUBE 3/8-3/16 BULK

NS = Not Shown



Upper Fountain Bottle Filler Internal View



Lower Fountain Internal View