

SQUARE

FLOOR MOUNT TUB FILLER



- For use with free standing tubs
- 6" center-to-center floor spread installation
- 26-15/16" (685 mm) floor to center of handle
- Drain not included
- Rough valve included
- Maximum hand shower flow rate: 2.0 gpm (7.6 L/min)
- Low hand shower flow rate: 1.8 gpm (6.8 L/min)

CODES AND STANDARDS

Meets or Exceeds ASME A112.18.1/CSA B125.1

CEC and CALGreen® Compliant

DESCRIPTION

Floor Mount Tub Filler
 2.0 gpm (7.6 L/min)
 1.8 gpm (6.8 L/min)

PRODUCT NUMBER

D35900900.XXX
 D3590090C.XXX

AVAILABLE FINISHES

Polished Chrome
 Brushed Nickel
 Matte Black

FINISH CODE

100
 144
 243

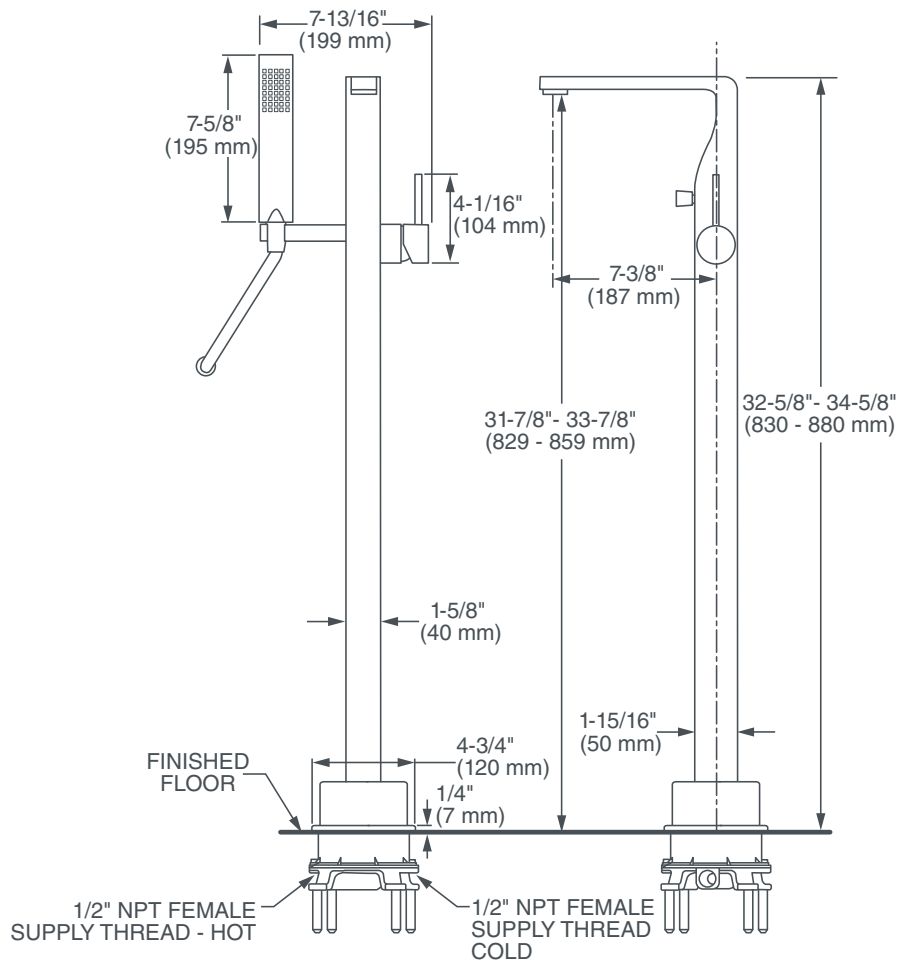
ROUGH-IN DIAGRAM
 SHOWN ON NEXT PAGE

CALGreen® is a registered trademark of California Building Standards Commission.



SQUARE

FLOOR MOUNT TUB FILLER



IMPORTANT: These measurements are subject to change or cancellation. No responsibility is assumed for use of superseded or voided pages.

PART OF **LIXIL**