



AMERICAN STANDARD

ISLE™ BAR FAUCET



- Ceramic disc valve cartridge
- Lead Free - faucet contains $\leq 0.25\%$ total lead content by weighted volume
- Spout swivels at 150°
- Includes 1.8 GPM (5.7L/min) flow regulator for CALGreen compliance
- Cover plate must be ordered separately

Optional Component

10" Cover Plate - One Hole H960748.XXX

CODES AND STANDARDS

Meets or Exceeds ASME A112.18.1/
CSA B125.1/NSF 61/Section 9

Certified Compliant with 0.25% Weighted
Average Lead Content Regulations

AVAILABLE FINISHES

Polished Chrome
Ultra Steel

FINISH CODE

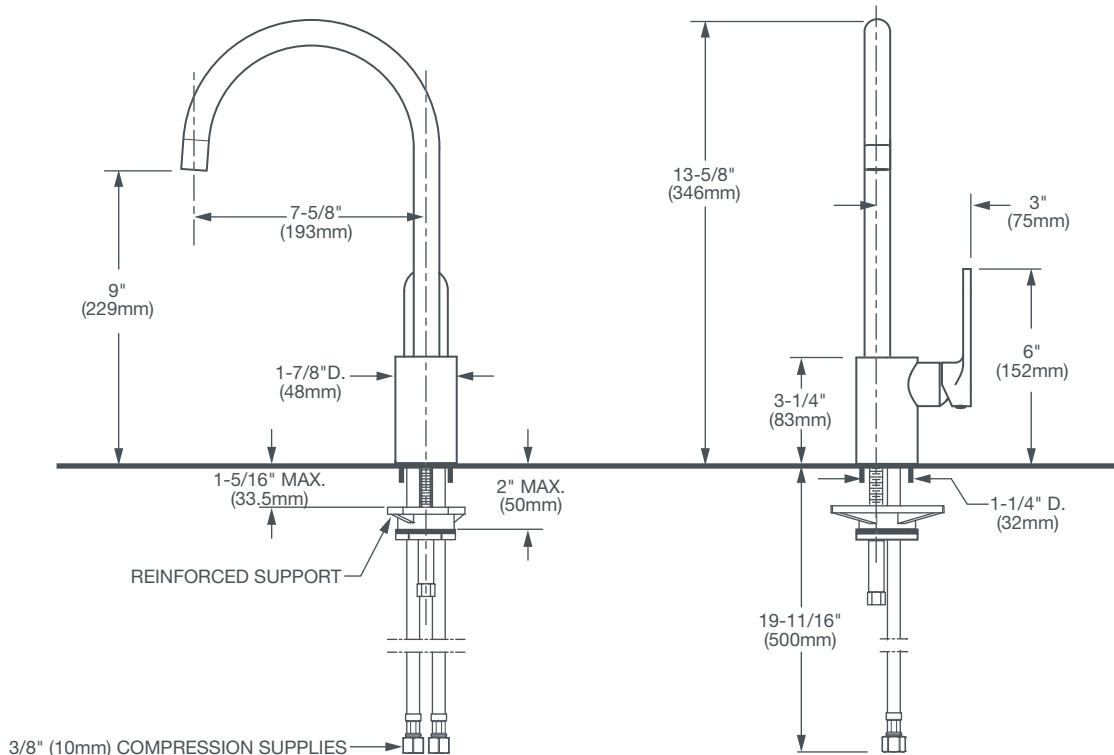
100
355

DESCRIPTION

Single Lever Kitchen Faucet

PRODUCT NUMBER

D35409000.XXX



IMPORTANT: These measurements are subject to change or cancellation.
No responsibility is assumed for use of superseded or voided pages.



Meets the Americans with Disabilities Act
Guidelines and ANSI A117.1 Requirements
for the physically challenged.