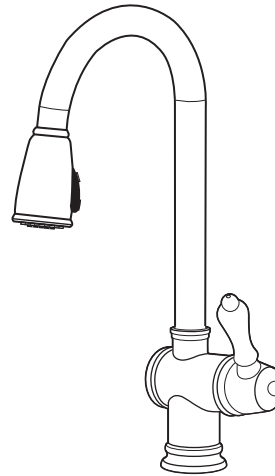


INSTALLATION INSTRUCTIONS

Victorian Single Control Kitchen Faucet with Pull-Down Spray

Model D35402300



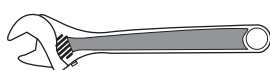
Thank you for selecting DXV. To ensure that your installation proceeds smoothly, please read these instructions carefully before you begin.

RECOMMENDED TOOLS AND MATERIALS

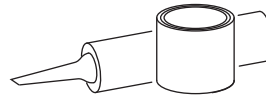
Most of the procedures require the use of common tools and materials, which are available from hardware and plumbing supply stores. It is essential that the tools and materials be on hand before work has begun.



Channel Locks



Adjustable Wrench



Plumbers' Putty or Caulking



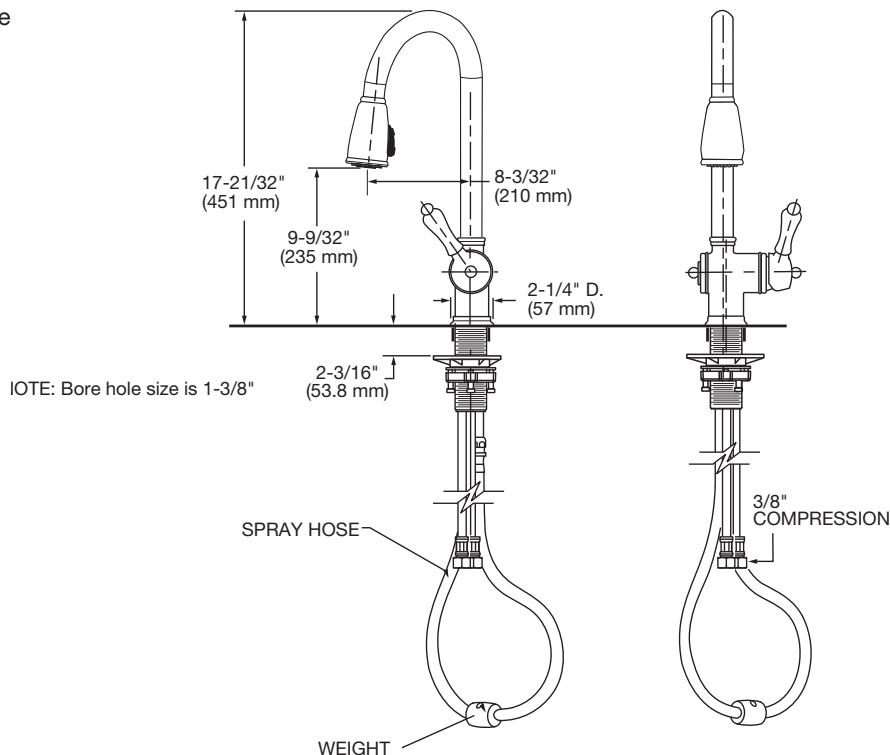
Phillips Screwdriver



Flat Blade Screwdriver

ROUGHING-IN DIMENSIONS:

- For reference



In the United States:

DXV
One Centennial Avenue
Piscataway, New Jersey 08855
Attention: Director of Customer Care

For residents of the United States, warranty information may also be obtained by calling the following toll free number: (800) 227-2734
www.DXV.com

In Canada:

DXV
5900 Avebury Road
Mississauga, Ontario
L5R 3M3
Canada

Toll Free: 1-800-387-0369
Local: 905-306-1093
Fax: 1-800-395-1498
www.DXV.ca

In Mexico:

DXV
Via Morelos 330
Col. Santa Clara Coatitla
Ecatepec, Estado de México 55540

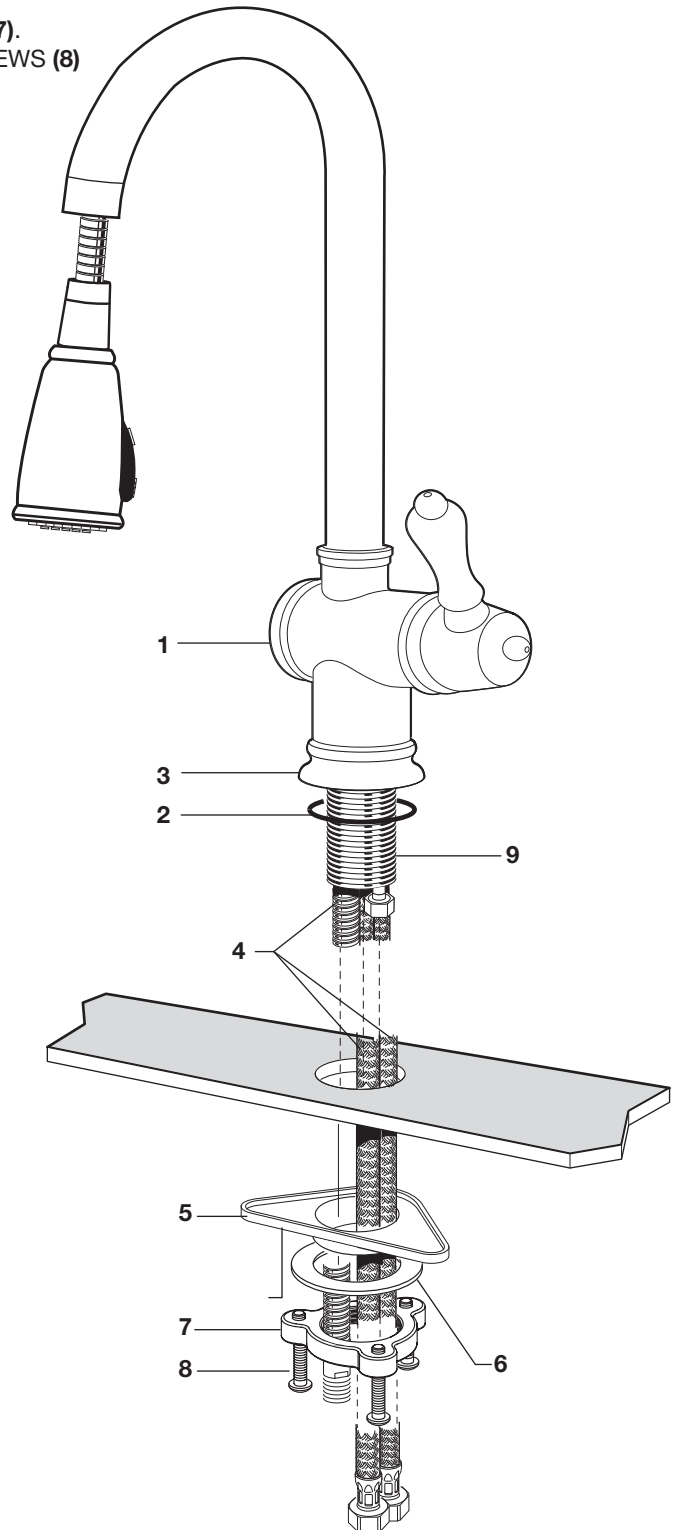
Toll Free: 01-800-8391200
www.DXV.mx

SAVE FOR FUTURE USE

1 INSTALL FITTING

CAUTION Turn off hot and cold water supplies before beginning.

- Make certain the O-RING (2) is properly seated in recess of FAUCET BASE (3).
- Insert HOSES (4) and SHANK (9) through center hole of sink or mounting surface.
- Assemble three BRASS SCREW (8) into the FIXATION RING (7).
- Assemble SUPPORT PLATE (5) METAL WASHER (6), and FIXATION RING (7) onto SHANK (10) from underside of sink. Hand tighten the FIXATION RING (7) and check that FAUCET (1) is centered.
- Use a screwdriver to tighten SCREWS (8) on FIXATION RING (7). Work your way around FIXATION RING (7), tightening the SCREWS (8) slightly each time until all are snug to ensure even pressure.



2 CONNECT SPRAY HOSE

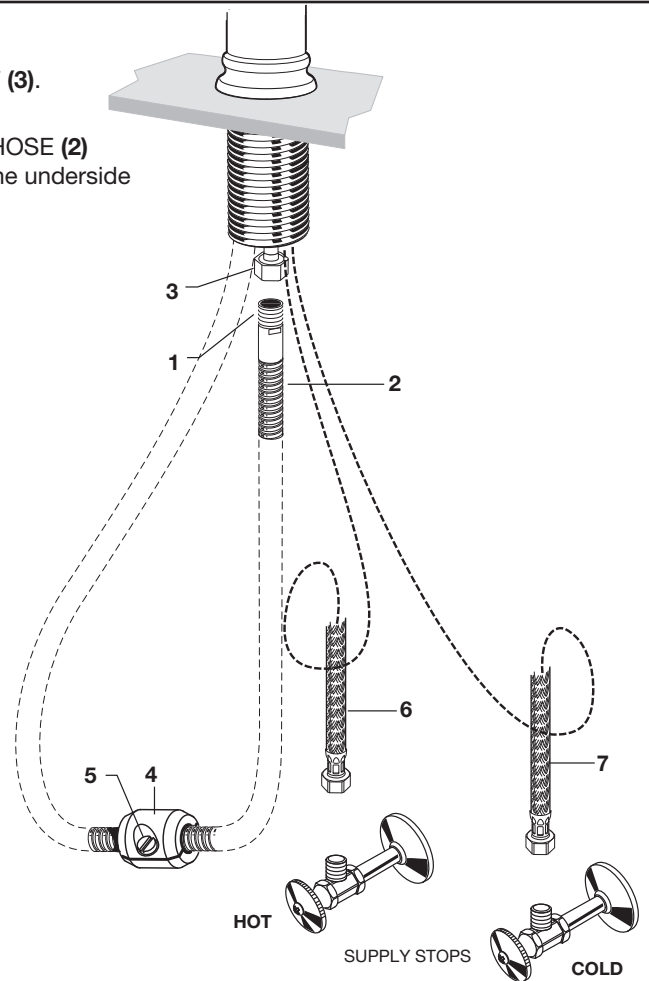
- Slide COUPLING NUT (1) of SPRAY HOSE (2) onto end of OUTLET (3). Tighten with wrench to make a water tight connection.
- With HAND SPRAY seated in faucet body, install WEIGHT (4) onto HOSE (2) using two SCREWS (5). Locate the WEIGHT (4) two feet (2') from the underside of the sink deck. Tighten SCREWS (5) firmly.

3 MAKE WATER SUPPLY CONNECTIONS

- Turn off hot and cold water supplies before beginning.
- Connect FLEXIBLE SUPPLIES (6, 7) directly to wall supplies. Connection on fitting supplies are 3/8" compression. Connect left supply (Marked Red) to Hot and right supply (Marked Blue) to Cold wall supply. Use adjustable wrench to tighten connections. Do not over tighten.
- Faucet supplies are 21" long from faucet base.

Note: If additional supply length is required, installer must purchase additional parts separately.

Important: If SUPPLY HOSES (6, 7) are too long, loop as illustrated to avoid kinking.



4 TEST INSTALLED FAUCET

- Move HANDLE (1) into "off" position.
- Turn on water supplies and check all connections for leaks. ➡
- Pull HAND SPRAY (2) from HOLDER (3) and disconnect HAND SPRAY (2). Pull HOSE (4) (HOSE should pull approximately 2 feet) and direct open HOSE END (4) into sink.
- Operate handle, in COLD and HOT positions, to flush water lines thoroughly.
- Connect HAND SPRAY (2) to HOSE END (4). Place HAND SPRAY (2) back into faucet, operate HANDLE (1) and check all connections for leaks.
- Check HAND SPRAY (2) operation, with faucet on push front of LEVER (5) for a broad cleansing spray.

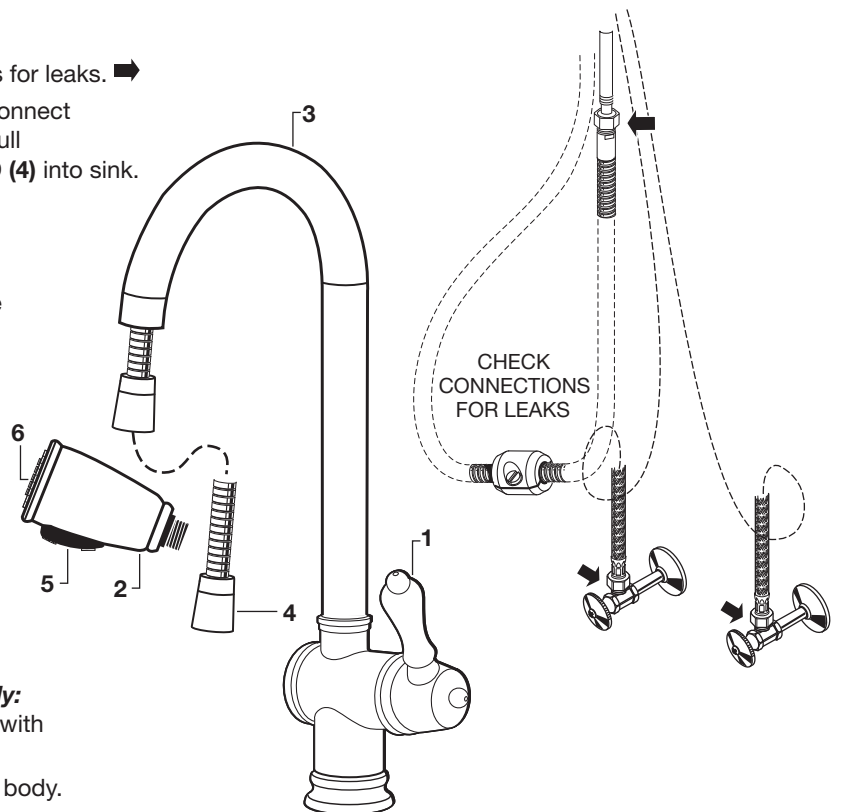
TROUBLE SHOOTING

Low water flow from faucet:

- Remove check valve assembly and check for debris. Clean if necessary.
- Remove back flow preventer from spray head and clean if necessary.
- Remove AERATOR (6) and clean if necessary.

Pull-Out Spray will not remove from faucet freely:

- Check that pull-out spray hose is not obstructed with plumbing connections or fittings under faucet.
- Make sure hose is not twisted or bound in faucet body.





Victorian Single Control Kitchen Faucet with Pull-Down Spray

MODEL NUMBER

D35402300

Replace the "YYY" with appropriate finish code

POLISHED CHROME	100
CARBON BRONZE	110
ULTRA STEEL	355

