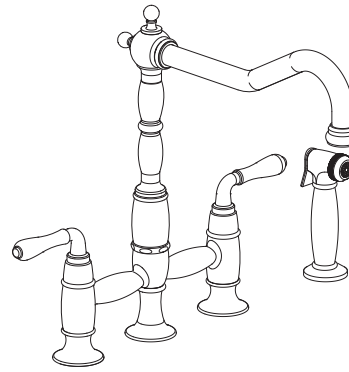


# INSTALLATION INSTRUCTIONS



## Victorian Widespread Kitchen Faucet with Side Spray

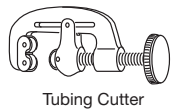
### Model D35402250



Thank you for selecting DXV. To ensure that your installation proceeds smoothly, please read these instructions carefully before you begin.

#### RECOMMENDED TOOLS AND MATERIALS

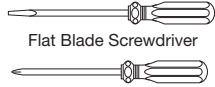
Most of the procedures require the use of common tools and materials, which are available from hardware and plumbing, supply stores. It is essential that the tools and materials be on hand before work is begun.



Tubing Cutter



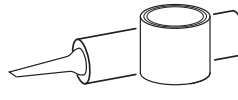
Channel Locks



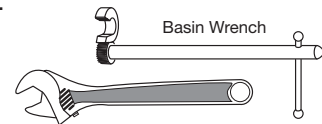
Flat Blade Screwdriver



Phillips Screwdriver



Plumbers' Putty or Caulking

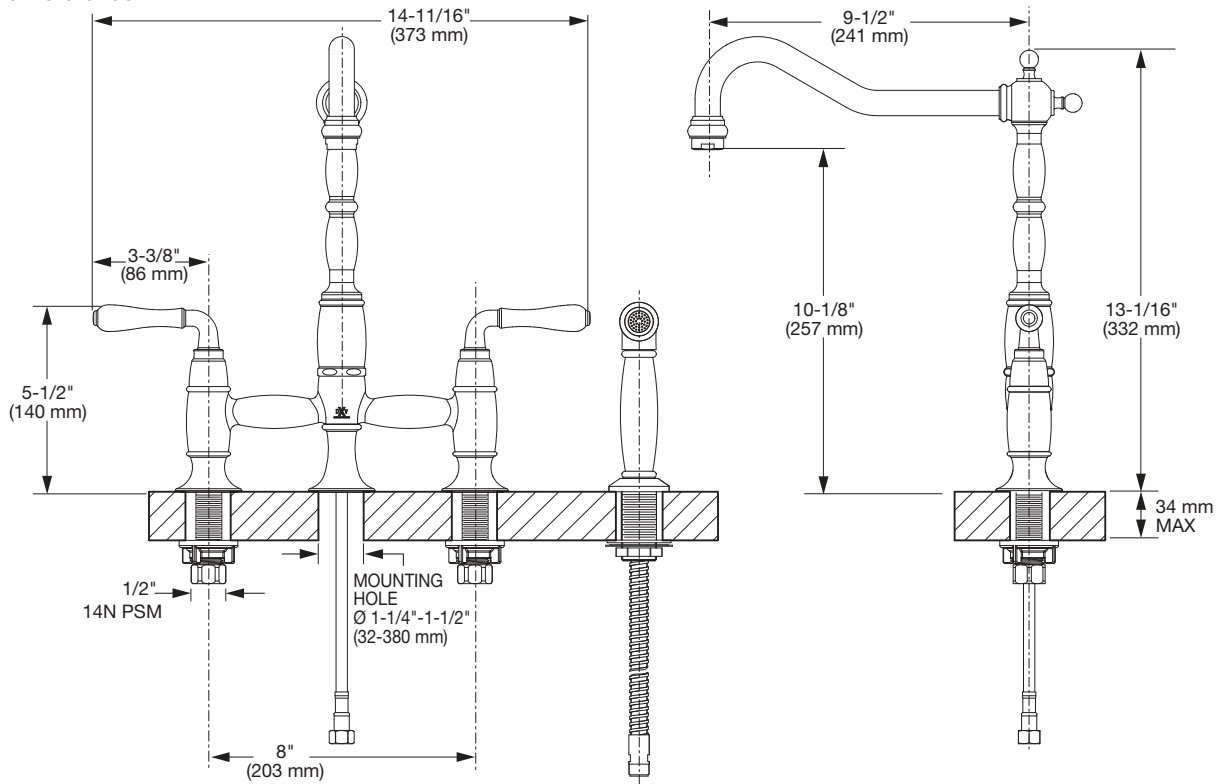


Basin Wrench

Adjustable Wrench

#### ROUGHING-IN DIMENSIONS:

- For reference



#### In the United States:

DXV  
One Centennial Avenue  
Piscataway, New Jersey 08855  
Attention: Director of Customer Care

For residents of the United States, warranty information may also be obtained by calling the following toll free number: (800) 227-2734  
[www.DXV.com](http://www.DXV.com)

#### In Canada:

DXV  
5900 Avebury Road  
Mississauga, Ontario  
L5R 3M3  
Canada

Toll Free: 1-800-387-0369  
Local: 905-306-1093  
Fax: 1-800-395-1498  
[www.DXV.ca](http://www.DXV.ca)

#### In Mexico:

DXV  
Via Morelos 330  
Col. Santa Clara Coatitla  
Ecatepec, Estado de México 55540

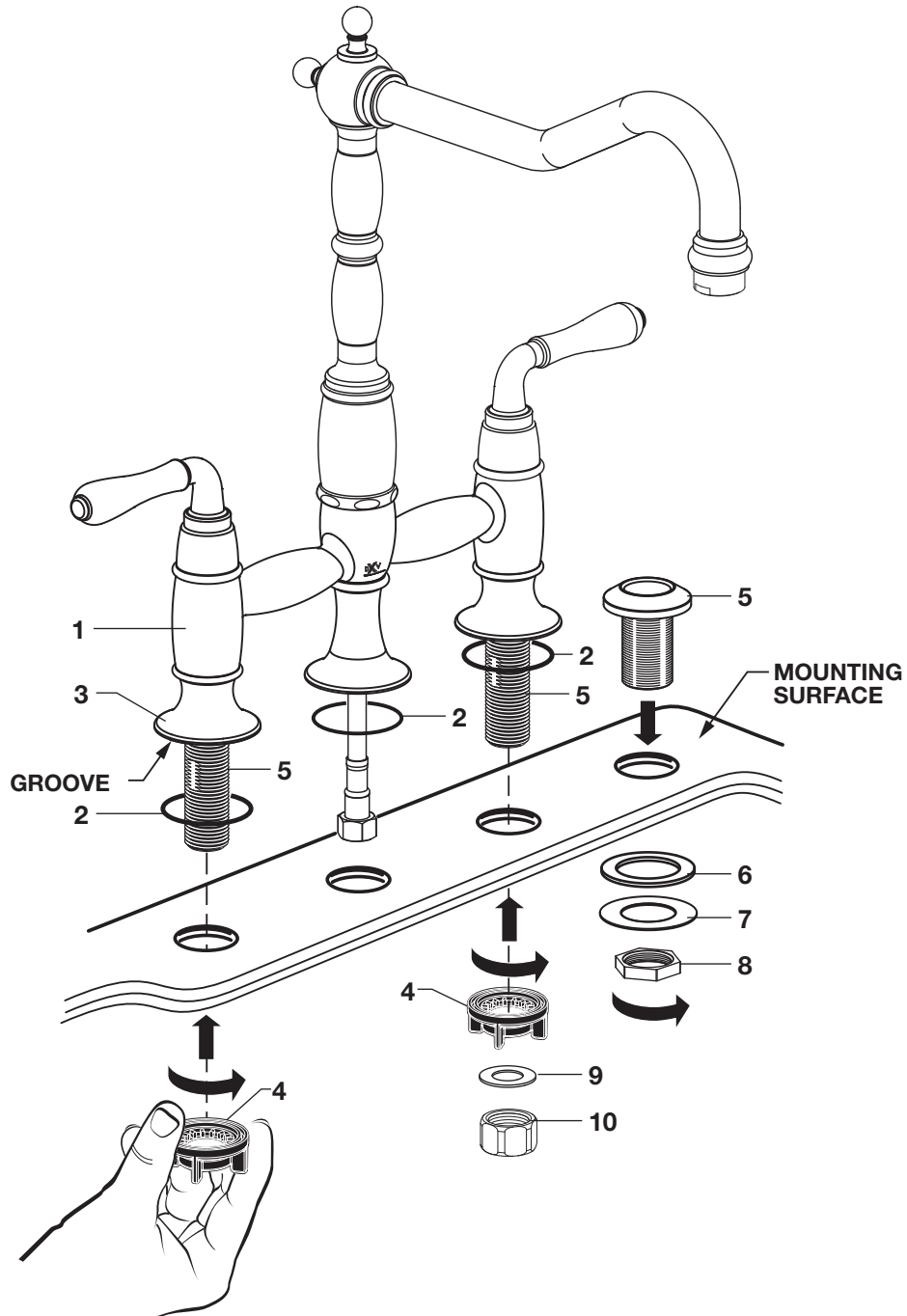
Toll Free: 01-800-8391200  
[www.DXV.mx](http://www.DXV.mx)

SAVE FOR FUTURE USE

# 1 INSTALL FAUCET and SPRAY HOLDER

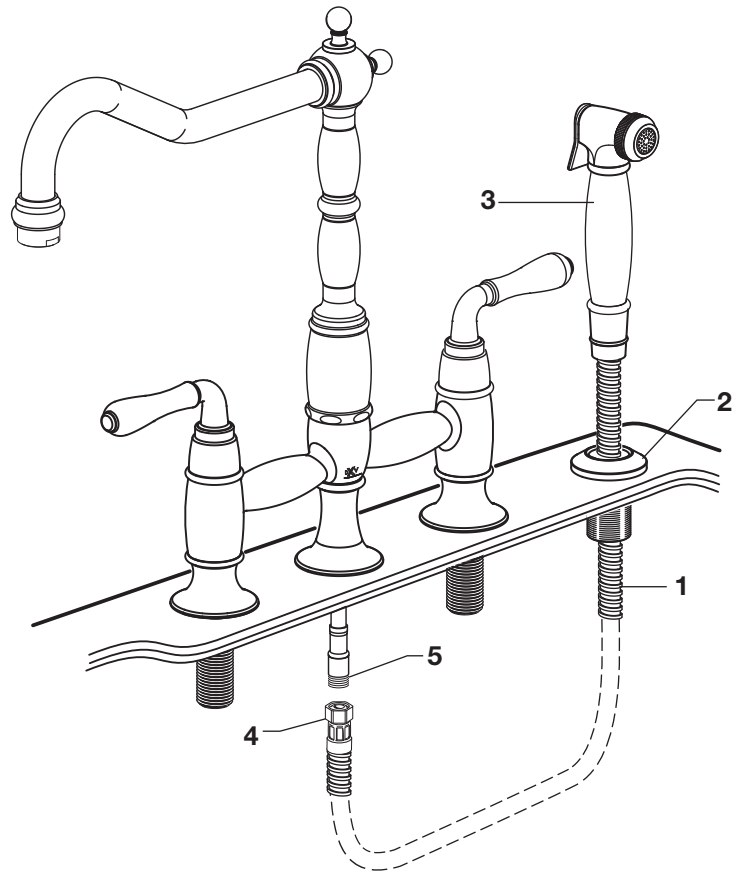
**CAUTION** Turn off hot and cold water supplies before beginning.

- Insert FAUCET (1) through mounting holes of sink or mounting surface. Make sure the three O-RINGS (2) are properly seated in FAUCET BASE (3) grooves.
- Assemble LOCKNUT and WASHER (4) onto each VALVE SHANK (5) from under side of sink. Hand tighten firmly.
- FAUCET can be installed with or without HAND SPRAY. To install HAND SPRAY, place the HOLDER (5) into the appropriate mounting hole. Assemble the RUBBER WASHER (6), METAL WASHER (7), MOUNTING NUT (8), SEAL (9) and NUT (10) onto the shank from below and tighten.



## 2 INSTALL HANDSPRAY

- Feed SPRAY HOSE (1) through HOLDER (2) so HANDSPRAY (3) sits in HOLDER (2).
- Thread SPRAY HOSE CONNECTION (4) onto HOSE SHANK (5) and tighten firmly.



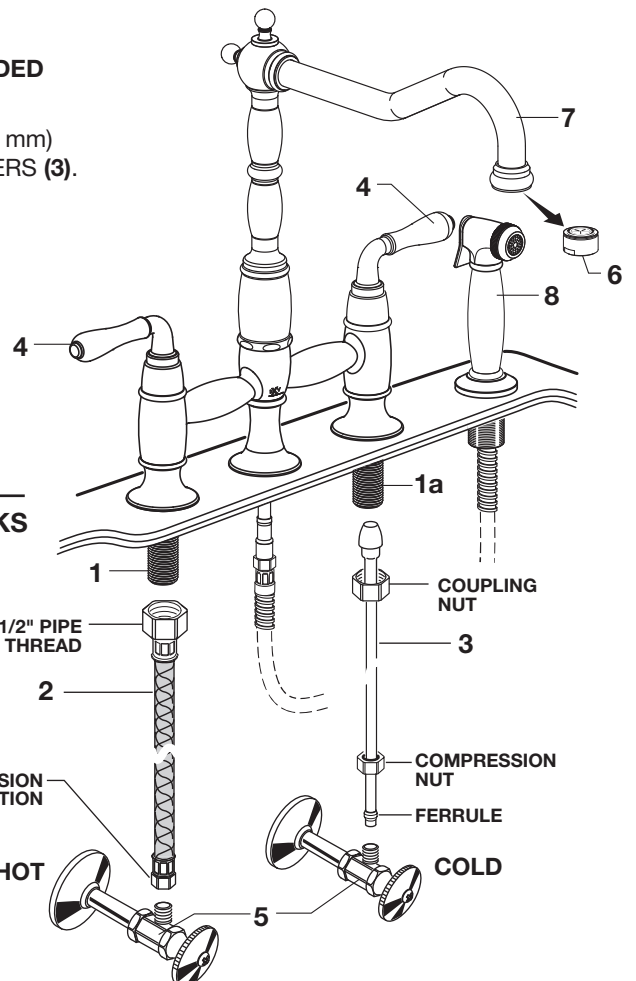
## 3 MAKE WATER SUPPLY CONNECTIONS

**NOTE: FLEXIBLE SUPPLIES OR BULL-NOSE RISERS NOT INCLUDED AND MUST BE PURCHASED SEPARATELY.**

- Connect each water supply to a VALVE SHANK (1,1a) using 1/2" (13 mm) IPS FLEXIBLE SUPPLIES (2) or 3/8" (10 mm) O.D. BULL-NOSE RISERS (3). Use adjustable wrench to tighten connections. Do not over tighten. Be careful not to kink copper supply when bending. Use tubing cutter to cut to proper length.

**NOTE:** If using IPS Flexible Supplies, coupling nuts will not be used during installation. Coupling nuts should only be used if using bull-nose risers.

- Connect HOT water supply to left SHANK and COLD water supply to right SHANK using sealant, appropriate connectors, and COUPLING NUTS. (if necessary)



## 4 TEST INSTALLED FITTING AND CONNECTIONS FOR LEAKS

- With HANDLES (4) in OFF position, turn on WATER SUPPLIES (5) and check all connections for leaks.
- Remove AERATOR (6).
- Operate both HANDLES (4) to flush water lines thoroughly.
- Rotate SPOUT (7) in both directions.
- Replace AERATOR (6). Direct SPRAY (8) into sink and activate. Check hose connections for leaks.



# Victorian Widespread Kitchen Faucet

MODEL NUMBER

**D35402250**

Replace the "YYY" with appropriate finish code

POLISHED CHROME	100
CARBON BRONZE	110
ULTRA STEEL	355

