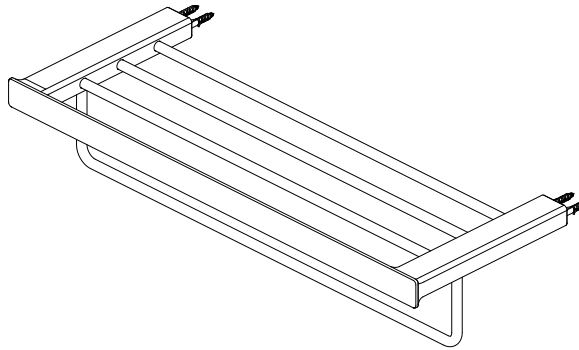


INSTALLATION INSTRUCTIONS



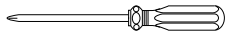
Contemporary Towel Rack Model D35104260



Thank you for selecting DXV. To ensure that your installation proceeds smoothly, please read these instructions carefully before you begin.

RECOMMENDED TOOLS AND MATERIALS

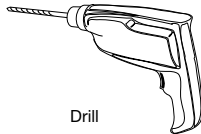
Most of the procedures require the use of common tools and materials, which are available from hardware and plumbing supply stores. It is essential that the tools and materials be on hand before work is begun.



Phillips Screwdriver



Flat Blade Screwdriver



Drill



Tape Measure



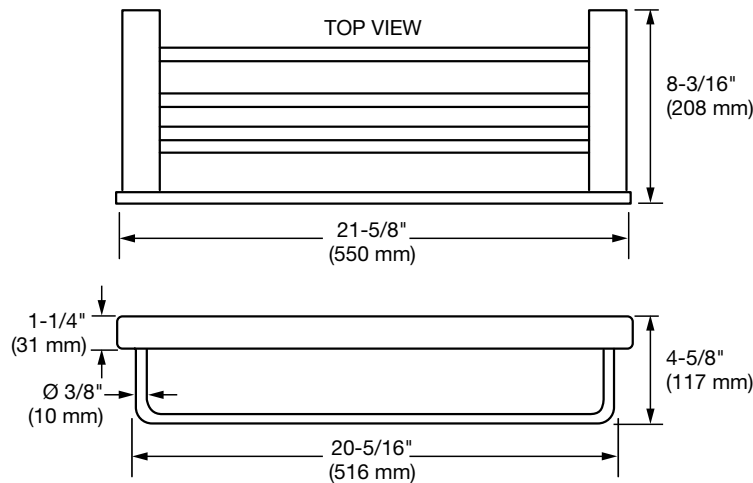
Level

ROUGHING-IN DIMENSIONS:

- For reference

Available Finishes

POLISHED CHROME	100
BRUSHED NICKEL	144



In the United States:

DXV
 One Centennial Avenue
 Piscataway, New Jersey 08855
 Attention: Director of Customer Care

For residents of the United States, warranty information may also be obtained by calling the following toll free number: (800) 227-2734
www.DXV.com

In Canada:

DXV
 5900 Avebury Road
 Mississauga, Ontario
 L5R 3M3
 Canada

Toll Free: 1-800-387-0369
 Local: 905-306-1093
 Fax: 1-800-395-1498
www.DXV.ca

In Mexico:

DXV
 Via Morelos 330
 Col. Santa Clara Coatitla
 Ecatepec, Estado de México 55540

Toll Free: 01-800-8391200
www.DXV.mx

S A V E F O R F U T U R E U S E

1 INSTALL WALL BRACKET

- The wall mounted accessory (1) works best if secured to a wall stud or cross brace within the wall, using the SCREWS (2) supplied.
- If the WALL MOUNTED ACCESSORY (1) is to be installed on a tile or plaster wall the ANCHORS (4) and SCREWS (2) should be used.
- Determine desired height and location (optional) and mark a center line. Using the MOUNTING PLATE (3) as a template mark the two spots for the ANCHORS (4). If MOUNTING PLATE (3) is secured to a stud or cross brace drill small pilot holes for SCREWS (2).
- **For installations on drywall or tiled walls:** Use ANCHORS (4) and SCREWS (2) for securing MOUNTING PLATE (3) to finished wall. Drill two 1/4" dia. holes a minimum of 1-3/4" deep. Insert the two ANCHORS (4) flush with face of the finished wall.
- Secure MOUNTING PLATE (3) to wall with SCREWS (2).

2 INSTALL TOWEL RACK

- See detail for the center to center dimension of TOWEL BARS (1).
For installation of the MOUNTING PLATE (3) see step 1.
- Note: The center line of MOUNTING PLATES (3) must be level.
- Install WALL MOUNTED ACCESSORY (1) onto installed MOUNTING PLATE (3). Push WALL MOUNTED ACCESSORY (1) flush against finished wall and tighten SET SCREW (5) with HEX WRENCH (6) supplied with accessory.

*FROM CENTER TO CENTER OF WALL BRACKETS
*NOTE: MEASUREMENT IS APPROXIMATE ONLY,
PLEASE USE BAR AS TEMPLATE FOR ACTUAL
CENTER TO CENTER MEASUREMENTS.

