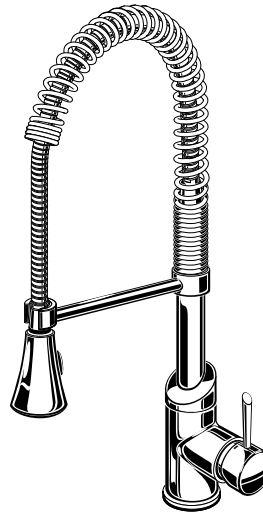


# INSTALLATION INSTRUCTIONS

## Fresno® Single Control Semi-Professional Kitchen Faucet

Model D35403350



Thank you for selecting DXV. To ensure that your installation proceeds smoothly, please read these instructions carefully before you begin.

### RECOMMENDED TOOLS AND MATERIALS

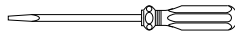
Most of the procedures require the use of common tools and materials, which are available from hardware and plumbing, supply stores. It is essential that the tools and materials be on hand before work is begun.



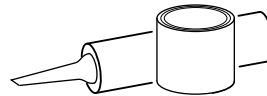
Channel Locks



Phillips Screwdriver



Flat Blade Screwdriver



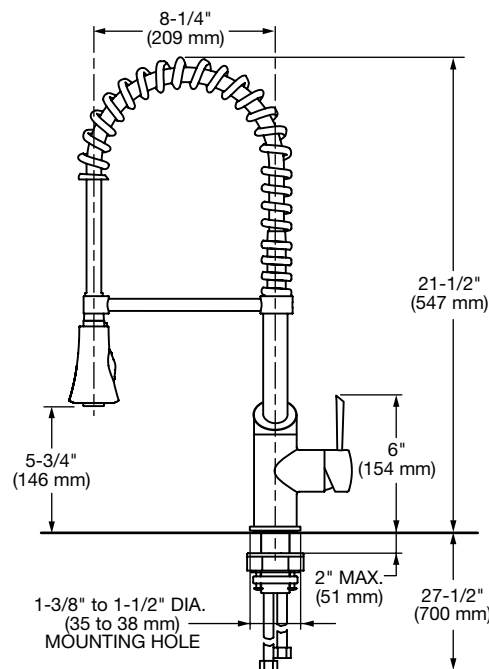
Plumbers' Putty or Caulking



Adjustable Wrench

### ROUGHING-IN DIMENSIONS:

- For reference



#### In the United States:

DXV  
One Centennial Avenue  
Piscataway, New Jersey 08855  
Attention: Director of Customer Care

For residents of the United States, warranty information may also be obtained by calling the following toll free number: (800) 227-2734  
www.DXV.com

#### In Canada:

DXV  
5900 Avebury Road  
Mississauga, Ontario  
L5R 3M3  
Canada

Toll Free: 1-800-387-0369  
Local: 905-306-1093  
Fax: 1-800-395-1498  
www.DXV.ca

#### In Mexico:

DXV  
Via Morelos 330  
Col. Santa Clara Coatitla  
Ecatepec, Estado de México 55540

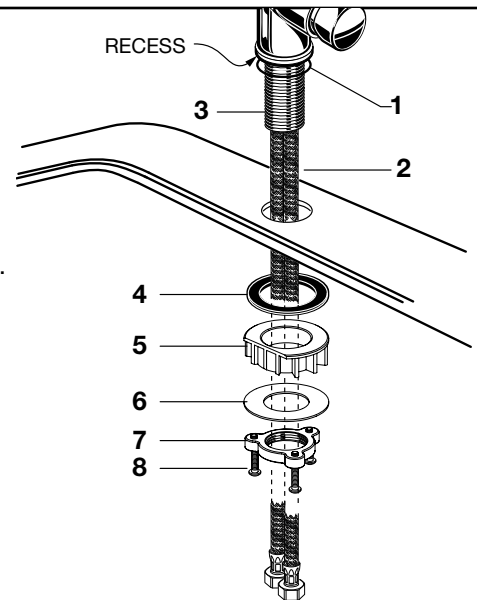
Toll Free: 01-800-8391200  
www.DXV.mx

S A V E F O R F U T U R E U S E

## 1 INSTALL FITTING

**CAUTION** Turn off hot and cold water supplies before beginning.

- Make certain the O-RING SEAL (1) is properly seated in recess of faucet body.
- Insert supply HOSES (2) and SHANK (3) through center hole of sink or mounting surface.
- Assemble RUBBER WASHER (4), PLASTIC WASHER (5), METAL WASHER (6) and threaded LOCKNUT (7) onto SHANK (3) from underside of sink or mounting surface. Hand tighten LOCKNUT (7) and check that faucet is centered.
- Use a screwdriver to tighten SCREWS (8) on LOCKNUT (7). Work your way around LOCKNUT (7), tightening the screws slightly each time until all are snug to ensure even pressure.

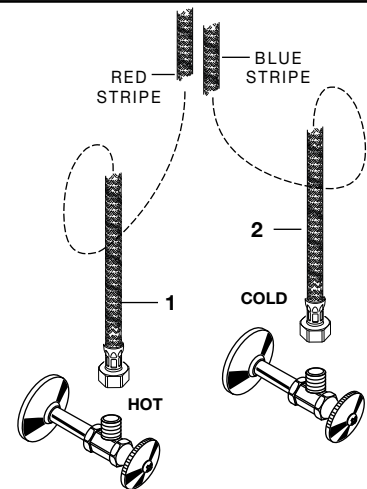


## 2 MAKE WATER SUPPLY CONNECTIONS

- Turn off hot and cold water supplies before beginning.
- Connect FLEXIBLE SUPPLIES (1, 2) directly to wall supplies. Connection on fitting supplies are 3/8" (10 mm) compression. Connect left supply (Marked with a Red Stripe) to Hot and right supply (Marked with Blue Stripe) to Cold wall supply. Use adjustable wrench to tighten connections. Do not over tighten.
- Faucet supplies are 27-1/2" (699 mm) long from faucet base.

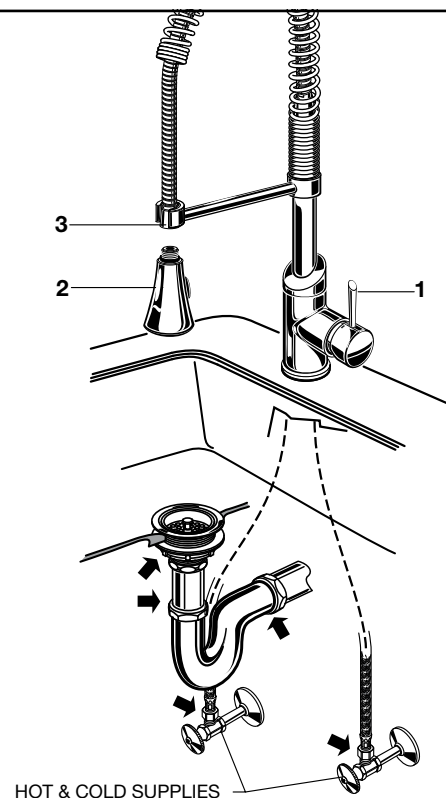
**Note:** If additional supply length is required, installer must purchase additional parts separately.

**Important:** If SUPPLY HOSES (1, 2) are too long, loop as illustrated to avoid kinking.



## 3 TEST INSTALLED FAUCET

- Move HANDLE (1) into "off" position.
- Unthread SPRAY END (2) from HOSE END (3).
- Turn on water supplies and check connections for leaks. ➡
- Operate HANDLE (1) on and off, hot and cold to flush water lines thoroughly. Replace SPRAY END (2).
- Check all drain connections for leaks. ➡
- Move HANDLE (1) into "off" position.

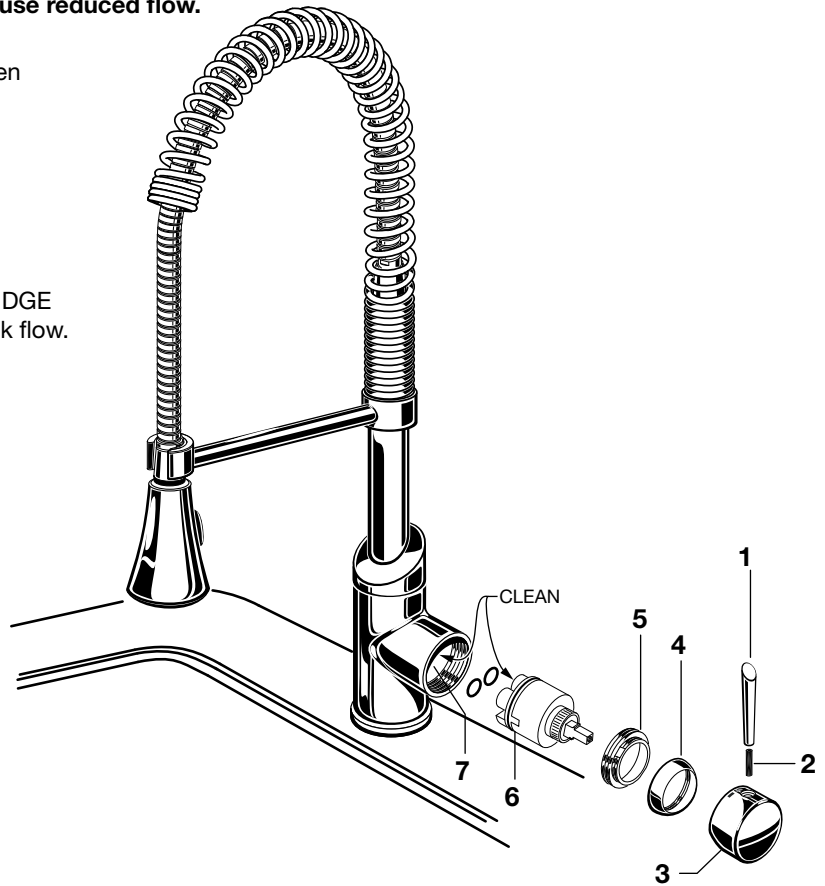


## 4 SERVICE

- **Clogged CARTRIDGE outlets or inlets may cause reduced flow.**

To clean, first turn off water supply then:

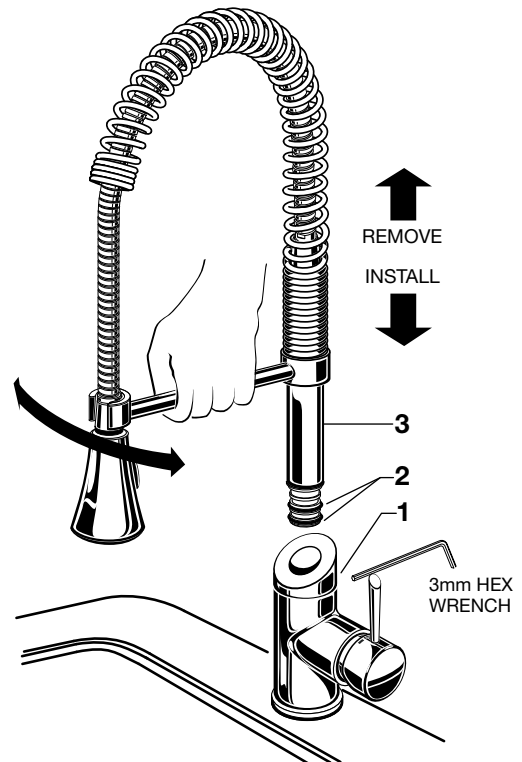
- Loosen and remove LEVER HANDLE (1). Loosen HANDLE SCREW (2) with 2.5 mm Hex Wrench and then pull HANDLE BASE (3) off.
- Unscrew ESCUTCHEON CAP (4). Unscrew the CARTRIDGE NUT (5).
- Remove CARTRIDGE (6). Clean inlets of CARTRIDGE (6) and MANIFOLD (7).
- Reassemble CARTRIDGE (6). Replace CARTRIDGE NUT (5), CAP (4) and HANDLE assembly, check flow.



## 5 SERVICE

- **If SPOUT (3) leaks at swivel point the O-RINGS (2) need to be replaced. To remove SPOUT (3):**

- Loosen the SPOUT SET SCREW (1) with a 3mm Hex wrench.
- Rotate the SPOUT (3) side to side while pulling upward to remove SPOUT (3) from faucet body.
- Replace the defective parts, grease O-RINGS then push SPOUT (3) back into position. Tighten SET SCREW (1).
- Check that SPOUT (3) rotates freely and does not leak at the swivel point.



# DXXV

## Fresno® Single Control Semi-Professional Kitchen Faucet

MODEL NUMBER

**D35403350**

Replace the "YYY" with appropriate finish code

POLISHED CHROME	100
ULTRA STEEL	355

