

BILL OF MATERIAL (CURRENT LEVEL)				
ITEM	PT/ASSY	DESCRIPTION	TYPE	QTY.
1	401X	1/2" IPS X 3/8" O.D SUPPLY VALVE	ASSEMBLY	2
2	450	NIPPLE	ASSEMBLY	2
3	442	BRASS FLANGE	PART	2
4	432	SUPPLY TUBE 3/8	ASSEMBLY	2
5	I-257	COUPLING NUT KIT	ASSEMBLY	2

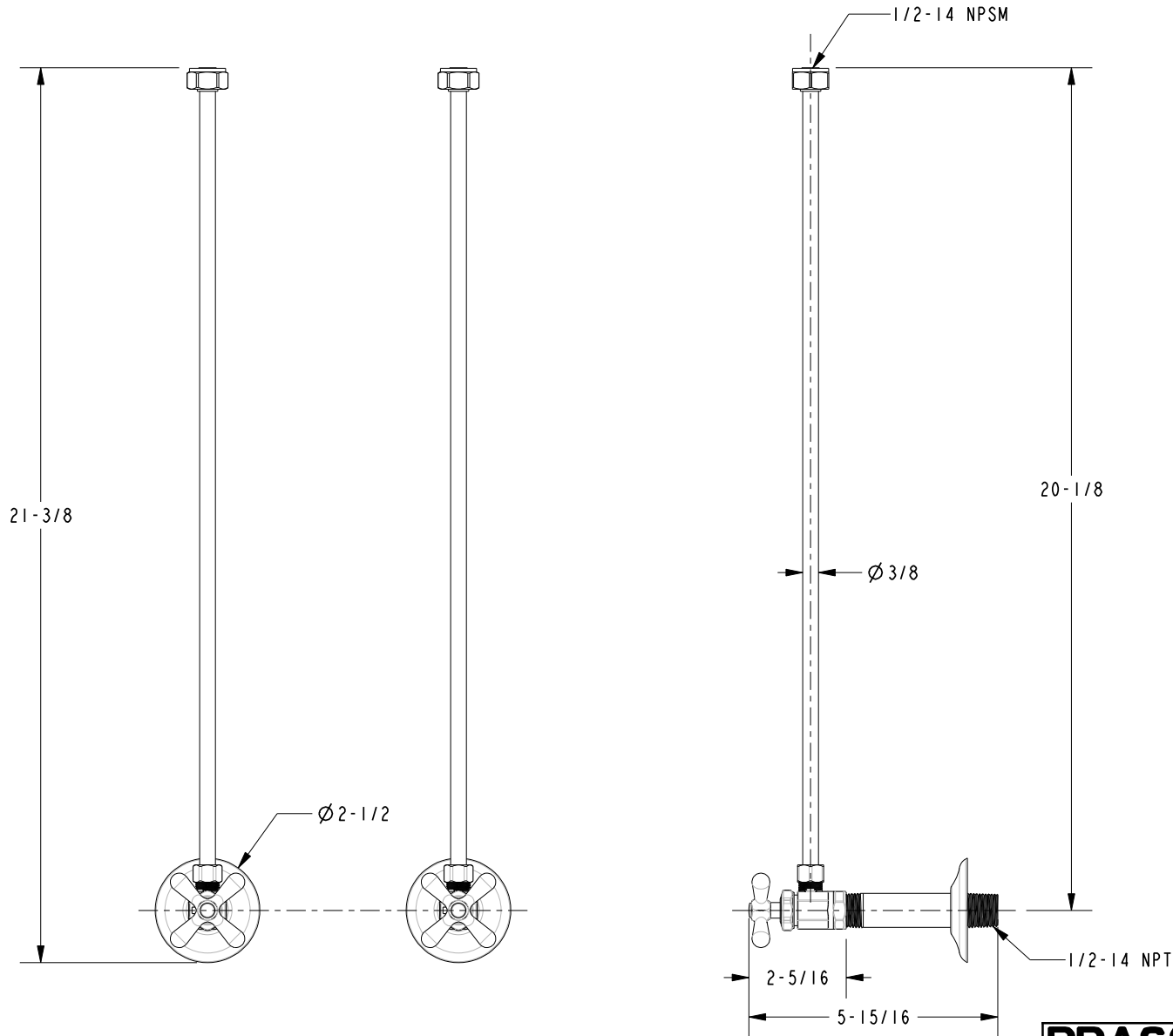
COPYRIGHT 2005 BRASSTECH, INC. THESE DRAWINGS AND THE DESIGNS DEPICTED HEREIN ARE THE PROPRIETARY PROPERTY OF BRASSTECH. ANY USE OR REPRODUCTION IS SUBJECT TO THE EXPRESS APPROVAL OF BRASSTECH. UNAUTHORIZED USE IS STRICTLY PROHIBITED. ALL RIGHTS RESERVED.

BRASSTECH
INCORPORATED
2001 E. CARNEGIE AVE.
SANTA ANA, CA 92705
(949) 417-5207

1/2" IPS X 3/8" O.D SUPPLY KIT

ASSY. NO. 491X		A	EN-1919	10/04/11
SCALE .300	REF. -	-	EN-1700	02/09/11
SHEET 1 OF 2		REV	REV DESC	DATE

SPECIFICATION DWG



DIMENSIONS ARE IN INCHES AND AN APPROXIMATION OF A TYPICAL INSTALLATION

COPYRIGHT 2005 BRASSTECH, INC. THESE DRAWINGS AND THE DESIGNS DEPICTED HEREIN ARE THE PROPRIETARY PROPERTY OF BRASSTECH. ANY USE OR REPRODUCTION IS SUBJECT TO THE EXPRESS APPROVAL OF BRASSTECH. UNAUTHORIZED USE IS STRICTLY PROHIBITED. ALL RIGHTS RESERVED.

BRASSTECH		2001 E. CARNEGIE AVE.	
INCORPORATED		SANTA ANA, CA 92705	
		(949) 417-5207	
DWG NO.	491X	REV	A
SCALE	.250	REF.	-
		SHEET	2 OF 2