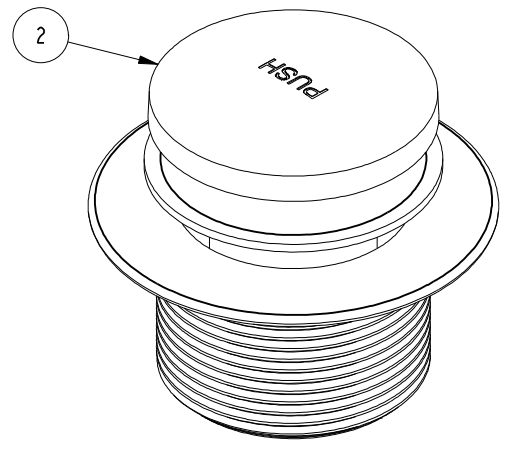
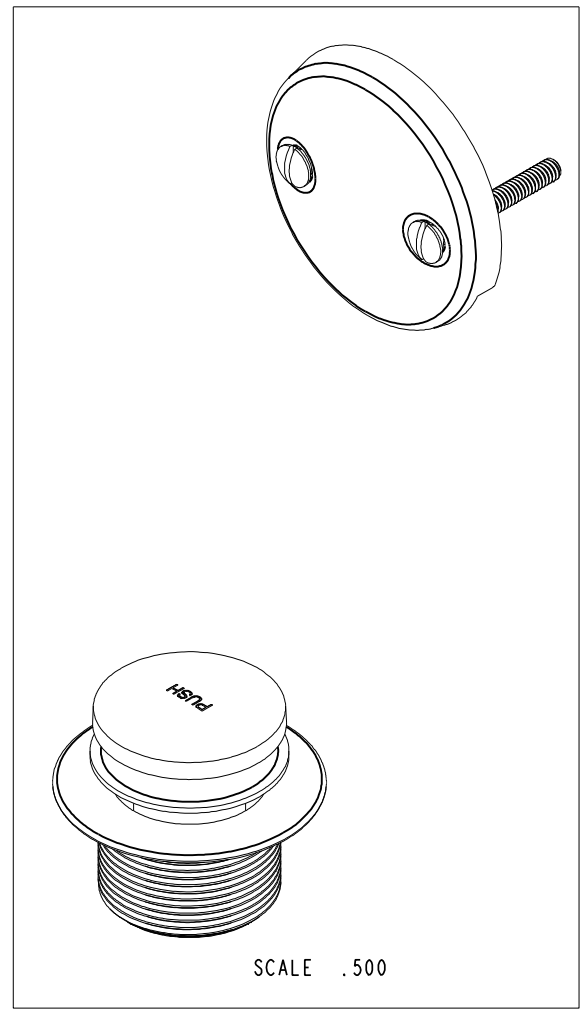
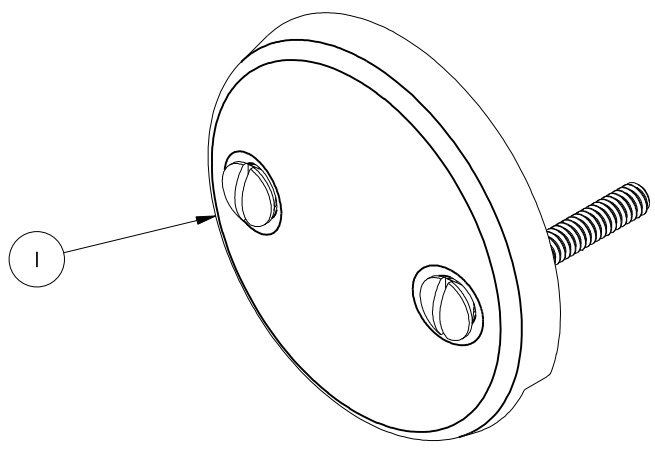


BILL OF MATERIAL (CURRENT LEVEL)					
ITEM	PT/ASSY	DESCRIPTION	TYPE	QTY.	
1	266	W/O FACEPLATE W/2 SCRWS	ASSEMBLY	1	
2	272	TOE ACTIVATED TUB DR	ASSEMBLY	1	



COPYRIGHT 2005 BRASSTECH, INC. THESE DRAWINGS AND THE DESIGNS DEPICTED HEREIN ARE THE PROPRIETARY PROPERTY OF BRASSTECH. ANY USE OR REPRODUCTION IS SUBJECT TO THE EXPRESS APPROVAL OF BRASSTECH. UNAUTHORIZED USE IS STRICTLY PROHIBITED. ALL RIGHTS RESERVED.

**BRASSTECH**  
INCORPORATED  
2001 E. CARNEGIE AVE.  
SANTA ANA, CA 92705  
(949) 417-5207

TOE ACTIVATED DRAIN KIT

ASSY. NO.	274		-	-	-
SCALE .750	REF. -	SHEET   OF	REV	REV DESC	DATE
				RELEASED	03/28/08