

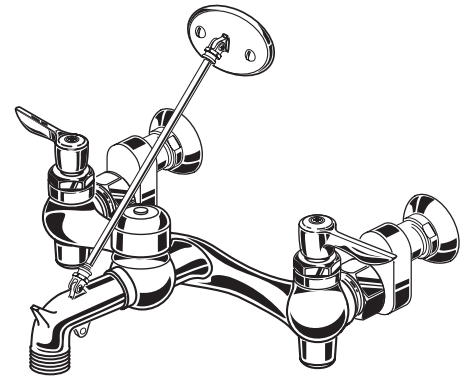
American Standard

Installation Instructions

Exposed Wall Mount Sink Faucet with Top Brace

8354.112.002

8354.112.004



Certified to comply with ANSI A112.18.1M

M965039 REV.1.2 (11/14)

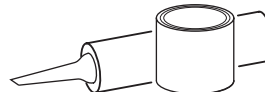
RECOMMENDED TOOLS



Channel Locks



Adjustable Wrench

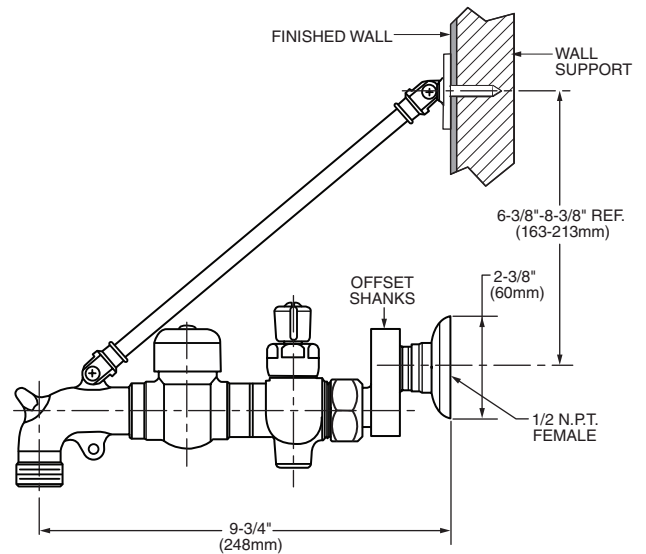
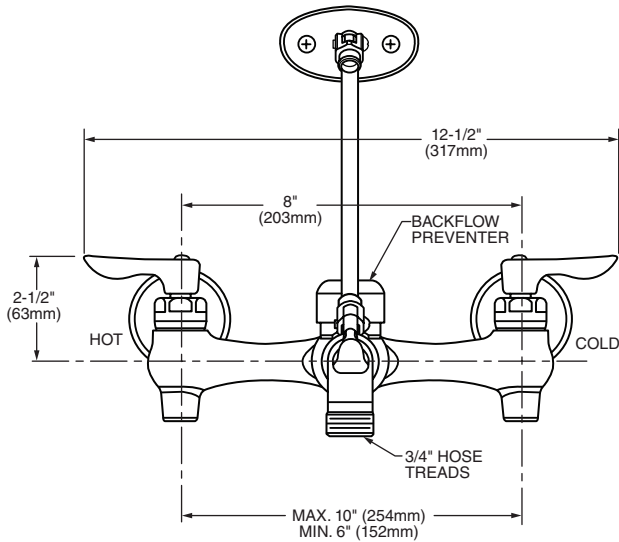


Plumbers' Putty or Caulking



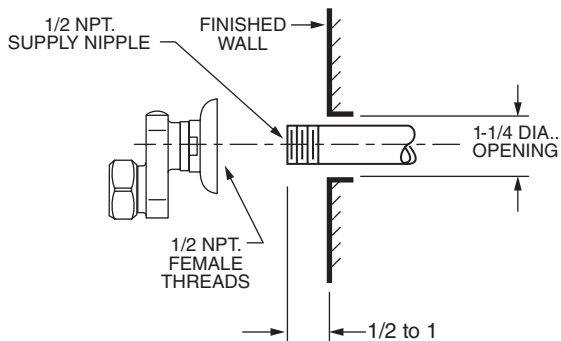
Phillips Screwdriver

ROUGHING-IN DIMENSIONS



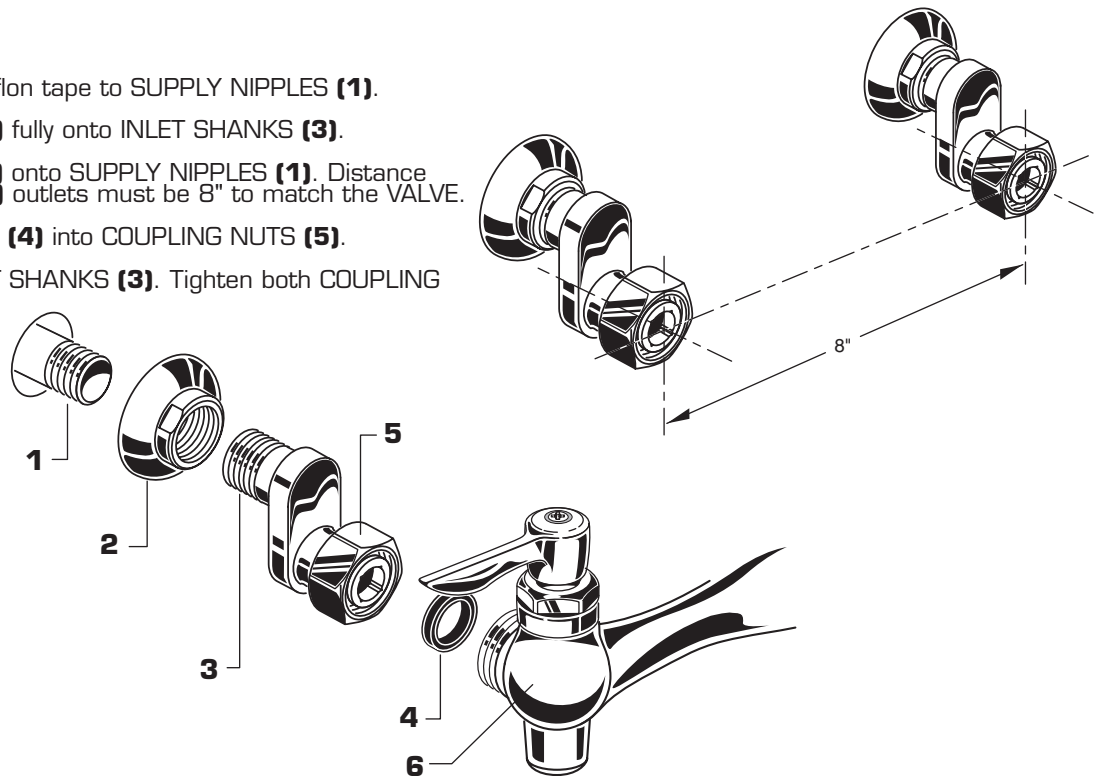
1 ROUGH-IN

- Prepare water supply lines per "Roughing-in Dimensions". Install 1/2" NPT. SUPPLY NIPPLES



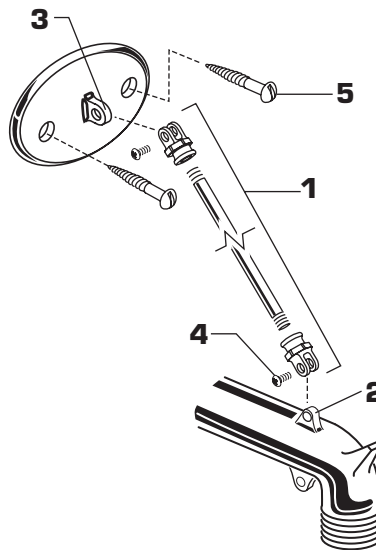
2 FINISH INSTALLATION

- Apply thread sealant or teflon tape to SUPPLY NIPPLES (1).
- Thread ESCUTCHEONS (2) fully onto INLET SHANKS (3).
- Thread INLET SHANKS (3) onto SUPPLY NIPPLES (1). Distance between INLET SHANK (3) outlets must be 8" to match the VALVE.
- Insert RUBBER WASHERS (4) into COUPLING NUTS (5).
- Attach VALVE (6) to INLET SHANKS (3). Tighten both COUPLING NUTS (5) firmly.



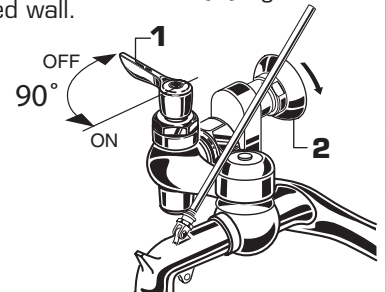
3 ATTACH SPOUT BRACE

- Attach SPOUT BRACE (1) to SPOUT (2) and WALL MOUNTING PLATE (3) with the SPOUT BRACE SCREWS (4) provided.
- IF WALL MOUNTING PLATE (3) is not fastened to a wall support within the wall, use wall anchors with MOUNTING SCREWS (5).
- Mark mounting hole location on wall and fasten MOUNTING PLATE (3) to wall with MOUNTING SCREWS (5) provided.



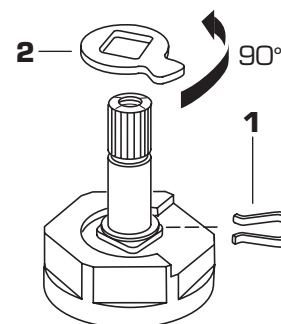
4 TEST FAUCET

- Turn HANDLES TO **OFF** POSITION.
- Slowly turn water supplies on and check all connections for leaks.
- Operate HANDLES to flush water lines thoroughly.
- Turn HANDLES to **OFF** position and replace AERATOR (1).
- Thread ESCUTCHEONS (2) against finished wall.



5 SERVICE

- To change direction of handle rotation, proceed as follows:
 - Turn HANDLE to OFF position.
 - Remove HANDLE SCREW and HANDLE.
 - Remove SPRING CLIP (1).
 - Lift STOP WASHER (2), turn 90° and replace.
 - Replace SPRING CLIP (1).
 - Replace HANDLE and HANDLE SCREW.
- If spout drips, operate handles several times from OFF to ON position. Do not force - handles turn only 90°.



CARE INSTRUCTIONS:

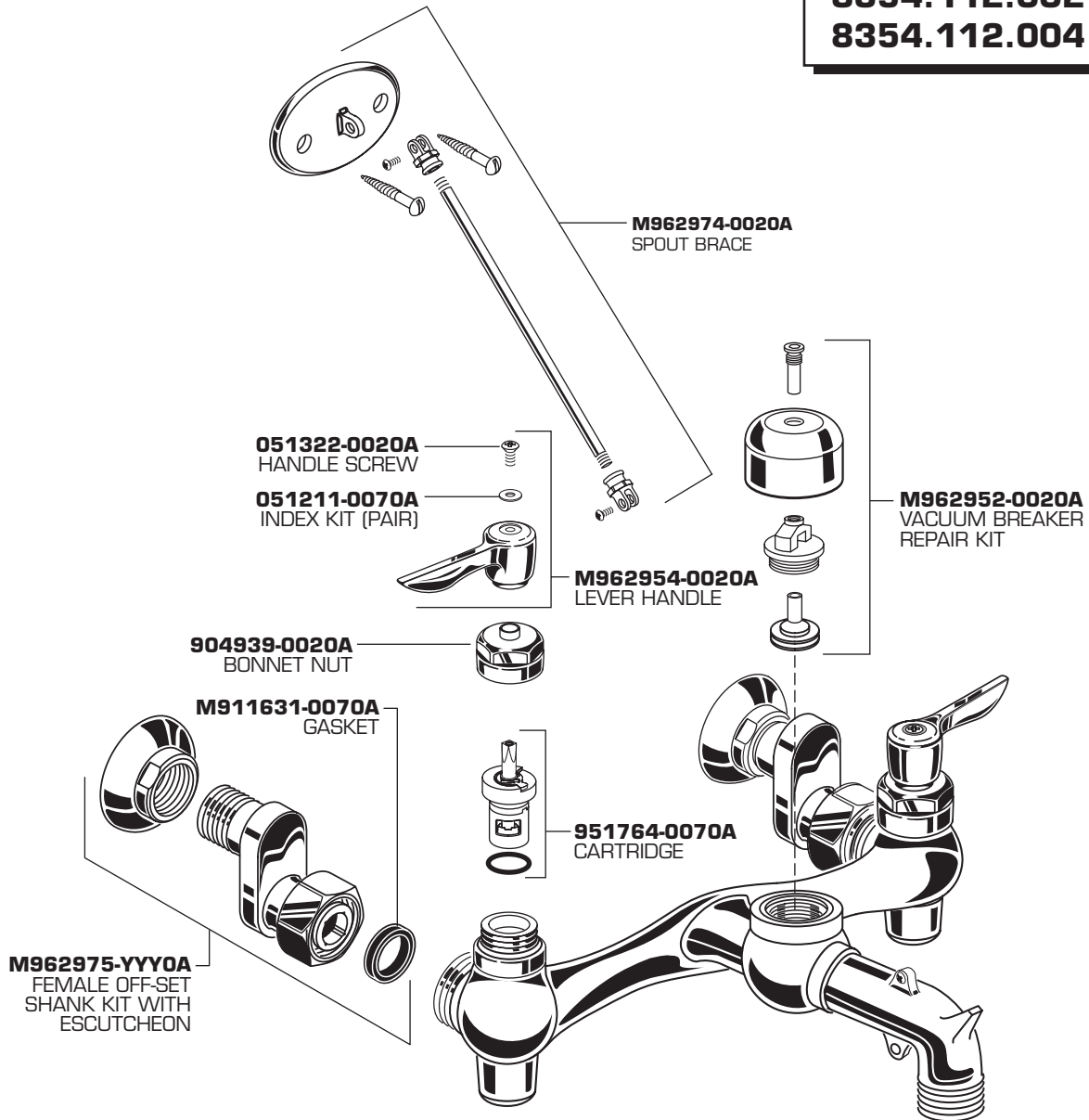
DO: SIMPLY RINSE THE PRODUCT CLEAN WITH CLEAR WATER. DRY WITH A SOFT COTTON FLANNEL CLOTH.
DO NOT: DO NOT CLEAN THE PRODUCT WITH SOAPS, ACID, POLISH, ABRASIVES, HARSH CLEANERS, OR A CLOTH WITH A COARSE SURFACE.

American Standard

**Exposed Wall Mount
Sink Faucet with Top Brace**

MODEL NUMBER

8354.112.002
8354.112.004



Replace the "YYY" with appropriate finish code

CHROME	002
ROUGH CHROME	004



HOT LINE FOR HELP

For toll-free information and answers to your questions, call:
1-800-442-1902
Weekdays 8:00 a.m. to 6:00 p.m. EST
IN CANADA 1-800-387-0369 (TORONTO 1-905-306-1093)
Weekdays 8:00 a.m. to 7:00 p.m. EST
IN MEXICO 01-800-839-1200

Product names listed herein are trademarks of American Standard Inc.
© AS America, Inc. 2010