



Submittal Sheet

Aquatic products may be specified as Lasco Bathware.

16036TRCOL

ANSI Compliant with Seat

CUSTOMER: _____
 JOB NAME: _____
 PO #: _____ QUOTE #: _____
 DATE: _____ QUANTITY: _____
 SHIP TO: _____

_____/_____/_____
 PLUMBING CONTRACTOR APPROVAL DATE
 _____/_____/_____
 GENERAL CONTRACTOR APPROVAL DATE
 _____/_____/_____
 ENGINEER APPROVAL DATE
 _____/_____/_____
 ARCHITECT APPROVAL DATE

CONFIGURATION (handed by the seat)

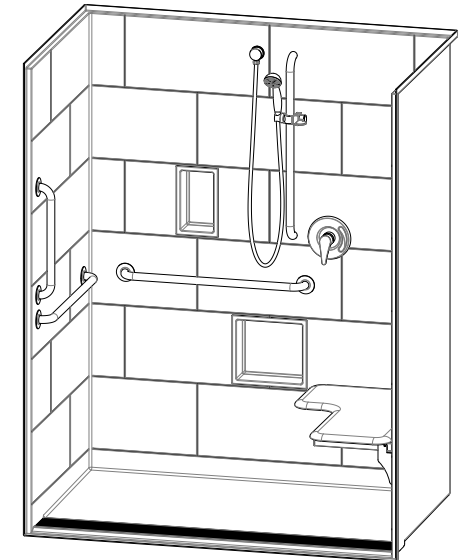
- Fully configured — ANSI
 Seat Location LH RH
 Includes one 28" x 1 1/4" diameter stainless grab bar located on the side wall; One 30" x 1 1/4" diameter stainless grab bar located on the back wall; One 18" x 1 1/4" diameter vertical grab bar; white cushioned, L-shaped fold-up seat; pressure balancing mixing valve; hand-held shower assembly; and stainless steel grate. Grab bar, mixing valve and handheld shower installed adjacent to seat per ANSI guidelines.

CUSTOM OPTIONS (not avail. if ANSI configuration is selected)

- L-shaped fold-up seat LH RH
 Cushioned white Phenolic teak Phenolic white
 Grab bars:
 One 28" (side wall) and one 30" (back wall)
 Stainless steel (1 1/4" dia.) LH RH
 Powder-coated white (1 1/4" dia.) LH RH
 Fixture Wall LH RH Back wall
 Hand-held shower assembly with 30" slide bar and 60" hose
 Pressure balancing mixing valve
 Grate:
 Stainless steel
 White

OPTIONAL ACCESSORIES (available for all models)

- Large soap dish (12 1/2" W x 3 1/2" D x 1 1/2" H), shipped loose
 Small soap dish (7" W x 3 1/2" D x 1 1/2" H), shipped loose
 Curtain rod (Not ANSI compliant)
 Shower curtain
 Brass drain
 Colors:
 Standard White
 Upgraded Biscuit Bone
 Other (contact customer service for custom color options)
 Additional accessories: _____



STANDARD FEATURES

- Pre-leveled base
- AcrylX™ applied acrylic surface
- 1" COL skirt
- Compliant when properly installed
- Center drain outlet
- Integral front trench drain
- Lifetime limited warranty Residential Use/ 30-year Commercial Use
- 12" x 24" subway tile
- Slip resistant, textured bottom [ASTM F-462]
- Code compliant when fully equipped and installed according to guidelines

Int. Dim. 60 W x 36 D x 76 3/4 H
 Ext. Dim. 62 1/4 W x 38 1/8 D x 78 3/4 H
 Skirt Ht. 1 COL skirt
 Packaged Wt. 210 lbs.
 Material AcrylX™ applied acrylic
 Warranty AcrylX™ Finished Products — Lifetime Limited

inches

To complete your order, this document must be signed and faxed to the Aquatic Centralized Customer Service Center.

Fax (866) 544-5353 • Phone (800) 945-2726

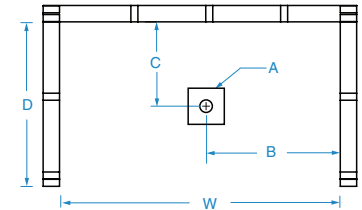


Submittal Sheet

Aquatic products may be specified as Lasco Bathware.

16036TRCOL ANSI Compliant with Seat

Please indicate changes needed.

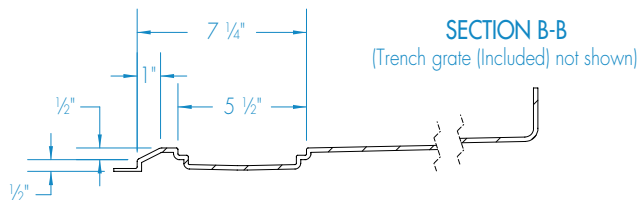
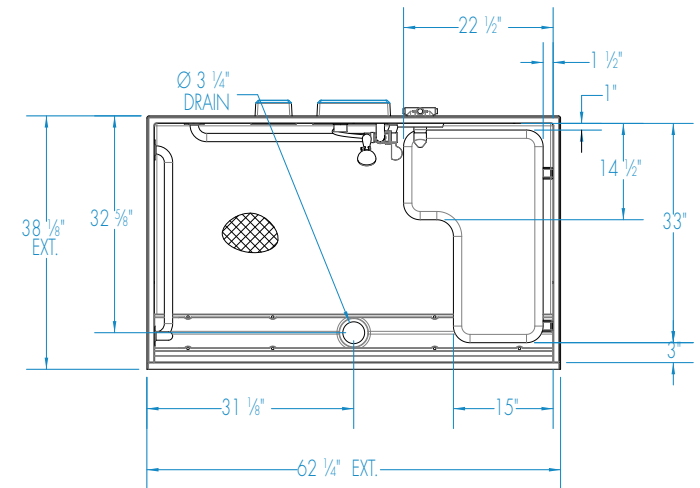
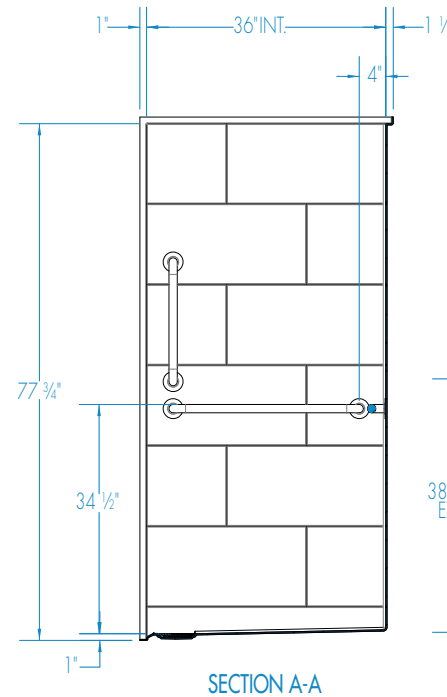
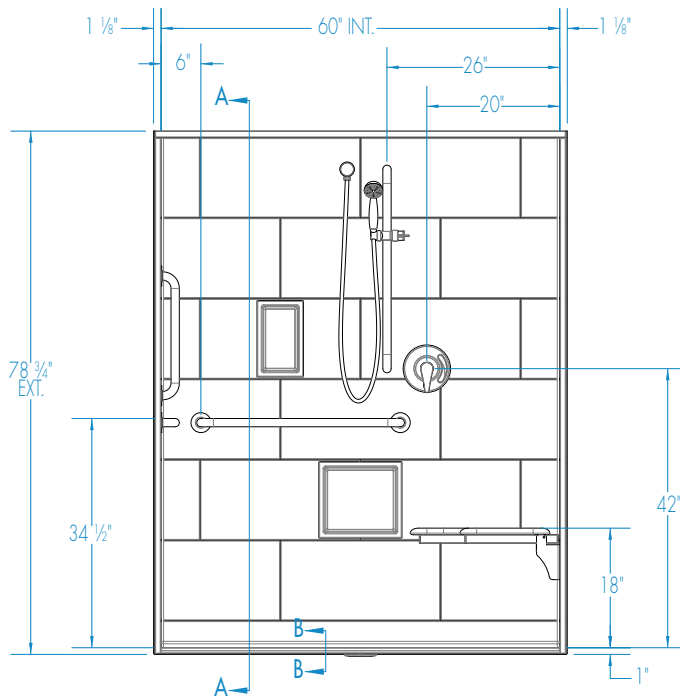


FRAMING DIMENSIONS inches (mm)

Type	D Depth	W Width	A	B	C
Alcove	38 1/8"	62 1/4"	Box Out	31 1/8"	32 5/8"

Installation Options:

1. Install in a recessed pit for rough-in floor installation.
2. Build sub-floor to level finished floor with top of shower threshold.



Shell tolerance: +0, - 3/8" All other tolerances: ± 1"

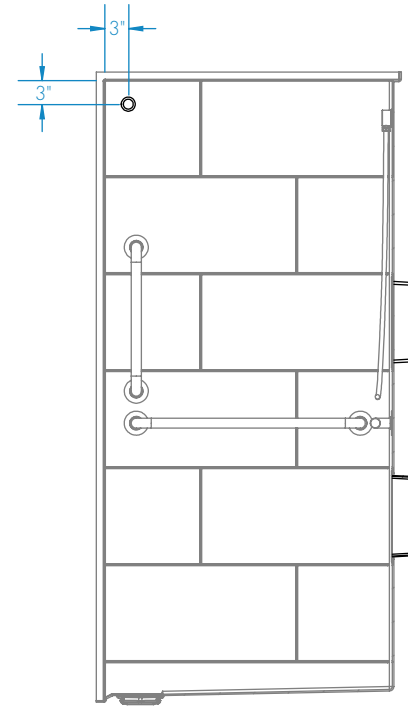
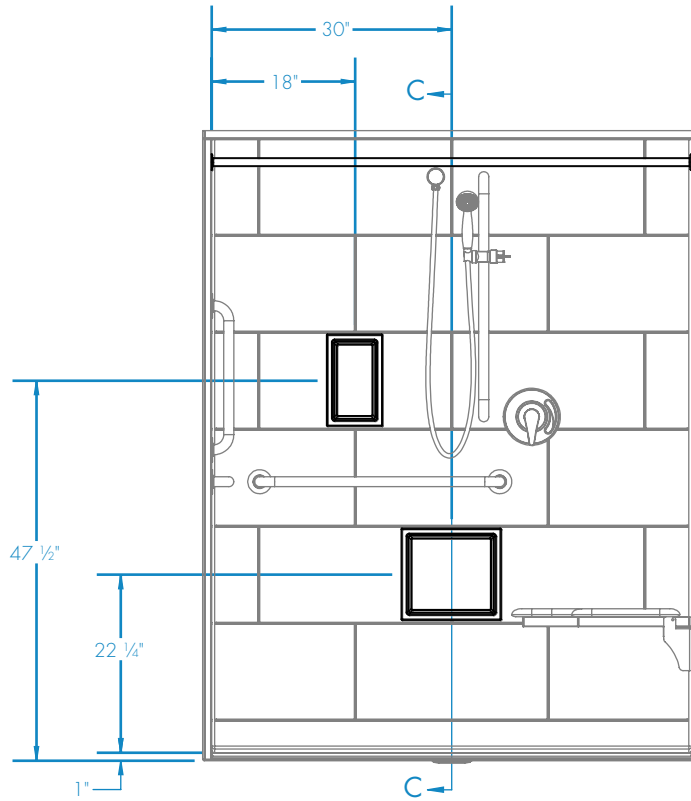


Submittal Sheet

Aquatic products may be specified as Lasco Bathware.

16036TRCOL ANSI Compliant with Seat
Please indicate changes needed.

Curtain Rod and Soap Dish Locations (Standard Valve Configuration)



SECTION C-C

Shell tolerance: +0, - 3/8" All other tolerances: ±1"



Submittal Sheet

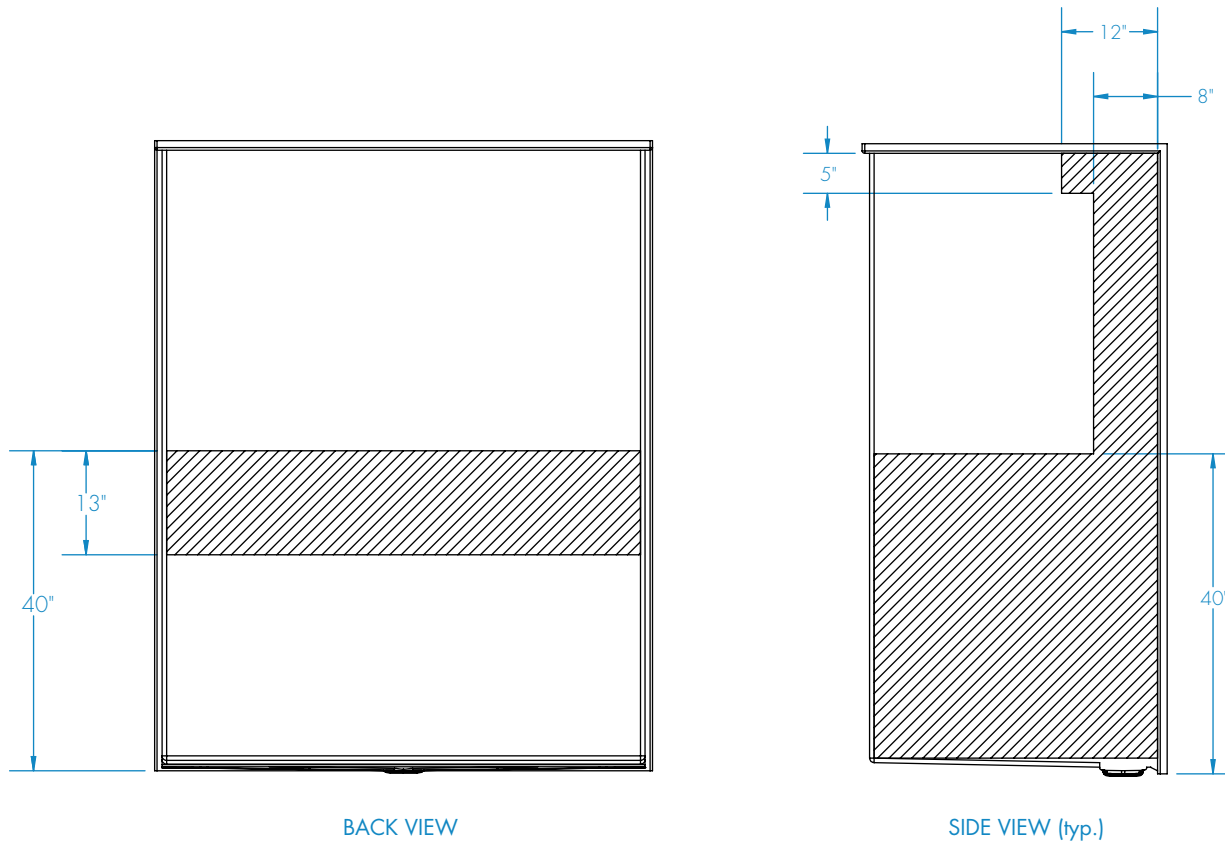
Aquatic products may be specified as Lasco Bathware.

16036TRCOL

 ANSI Compliant with Seat

Please indicate changes needed.

Reinforcement Locations (Standard)



 = REINFORCEMENT

Shell tolerance: +0, - 3/8" All other tolerances: ±1"