

# ARIEL I

BUILDERS' CHOICE

60 x 42 x 23 inches



## FEATURES ~

- Ergonomic bathing well
- Sculpted armrests
- Pre-leveled wood base
- Slip resistant floor
- Premium cast acrylic surface
- Limited 10-year warranty

\* Note: Availability of individual models varies by Regional Servicing Plant.  
Please consult your price list and/or A/B model list for availability in your area.

## COLOR OPTIONS

Stock	Upgraded
White	Biscuit

## AVAILABLE SYSTEMS

### WHIRLPOOL

- Pneumatic on/off control
- 8 hydrotherapy jets
  - High-flow directional jets
  - Low-profile spinning micro-jets
- Whirlpool pump
- Safety suction system

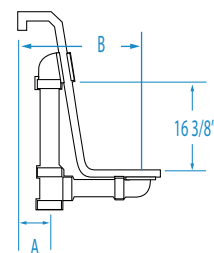
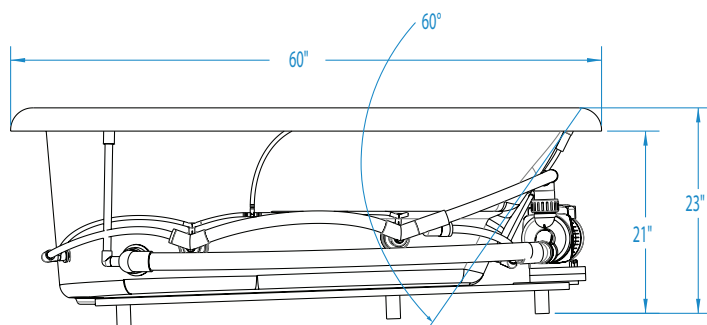
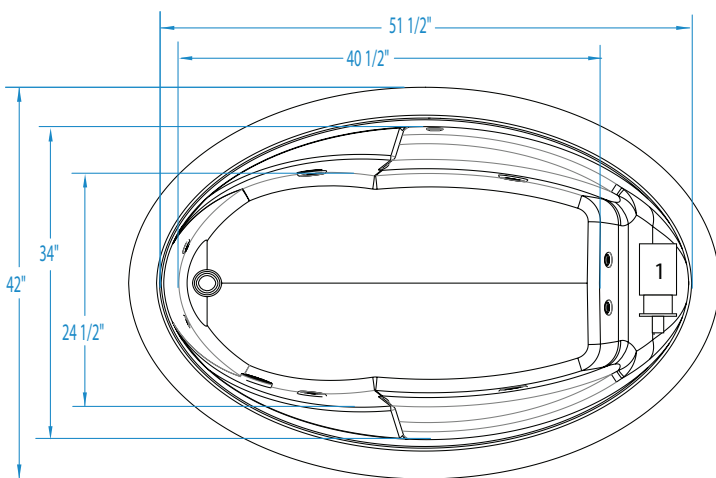
### AIR BATH

- Pneumatic on/off control
- Perimeter air system
- Single speed heated-air blower with purge and dry cycle



# ARIEL I

60 x 42 x 23 inches



## FEATURES

Dimensional Tolerance  $\pm 3/8"$ . Dimensions needed for site preparation should be measured from the unit. Aquatic assumes no responsibility for preparatory work.

Type and Model #	Material	Jets	Pump	Heater	Controls	Drain	Pkg. Wt. lbs
Soaker #2860420	Cast Acrylic	0	-	-	-	Universal	84
Whirlpool #2860421	Cast Acrylic	8	63 GPM	1.5 kW inline (optional)	Pneumatic	Universal	134
Air Bath #2860420A	Cast Acrylic	0	-	Inline	Pneumatic	Universal	114

## DIMENSIONS inches

Width Overall / Net	Depth Overall / Net	Height Overall / Net	Skirt Height
60	42	23	-

## SUMP DATA inches

Capacity to Overflow gal	Min. Operat- ing Capacity gal	WIDTH @ centerline		DEPTH @ centerline	
		Top	Bottom	Top	Bottom
57	44	51 1/2	40 1/2	34	24 1/2

## PLUMBING DIMENSIONS inches

A	B	Drain to Overflow	Drain Diameter / Clearance
2	9 1/2	16 3/8	2 / 1 1/4

## ELECTRICAL DATA

Component	Specification	Requirement
Pump	5 AMP; 120 V	15 AMP; 120V, separate circuit; Class A GFCI
Optional Heater (whirlpool model)	1.5KW; 12 AMP; 120 V	15 AMP; 120V, separate circuit; Class A GFCI
Heated Blower	5 AMP; 120 V	15 AMP; 120V, separate circuit; Class A GFCI

### NOTES:

1) Where applicable, utilize cut-out templates packed with unit for deck cutouts.

2) 16 x 16 minimum access required at pump/blower location(s).

Each air bath is equipped with an air heating system to raise the temperature of the air entering the bath. This air temperature will be lower than the bathing temperature of the water, but will help reduce rapid decrease in water temperature. In addition, the air coming from the air jets will feel cool against the skin. This system does not heat the water.